

# DATA SHEET

## **SAA7192A** Digital Colour Space Converter (DCSC)

Product specification  
Supersedes data of June 1991  
File under Integrated Circuits, IC22

1996 Sep 25

**Digital Colour Space Converter (DCSC)****SAA7192A****CONTENTS**

1	FEATURES
2	GENERAL DESCRIPTION
3	ORDERING INFORMATION
4	BLOCK DIAGRAM
5	PINNING
6	FUNCTIONAL DESCRIPTION
6.1	Functional modes
6.2	Control
6.2.1	Control signals
6.2.2	Clock
6.2.3	Error condition
6.3	System I/O interfaces
6.3.1	Video data input signals
6.3.2	Video data output signals
6.3.3	Auxiliary data
6.4	System block description
6.4.1	Input formatter with filter
6.4.2	Conversion matrix
6.4.3	Video look-up table and output stage
6.4.4	I <sup>2</sup> C-bus receiver
7	OPERATING CONDITIONS
7.1	Electrical conditions
7.1.1	Start-up condition
7.1.2	Operating time
7.1.3	Temperature range
7.1.4	Backup
7.1.5	Power-down mode
7.1.6	Handling
8	LIMITING VALUES
9	DC CHARACTERISTICS
10	TIMING CHARACTERISTICS
11	PACKAGE OUTLINE
12	SOLDERING
12.1	Introduction
12.2	Reflow soldering
12.3	Wave soldering
12.4	Repairing soldered joints
13	DEFINITIONS
14	LIFE SUPPORT APPLICATIONS
15	PURCHASE OF PHILIPS I <sup>2</sup> C COMPONENTS



# Digital Colour Space Converter (DCSC)

# SAA7192A

## 1 FEATURES

- Input formatter with:
  - multiplexer
  - Y-delay line
  - Cr and Cb interpolating filters
- Conversion matrix (according to CCIR 601)
- Video look-up tables (provide gamma correction)
- Pipeline delay line (horizontal reference signal)
- I<sup>2</sup>C-bus interface
- All functional blocks are bypassable.

## 2 GENERAL DESCRIPTION

The Digital Colour Space Converter (DCSC) is a digital matrix which is used to transform 16/24-bit digital input signals, i.e. Y (luminance), Cr (colour, R-Y) and Cb (colour, B-Y), into an RGB 24-bit format in accordance with the "CCIR-601 recommendations".

Accepting inputs from the different formats of the MPC-E decoder family, the device has a constant propagation delay and a maximum data rate of 16 MHz. A matched pipeline delay line is available to permit the HREF signal to be synchronized with the video data at the output.

## 3 ORDERING INFORMATION

TYPE NUMBER	PACKAGE		
	NAME	DESCRIPTION	VERSION
SAA7192AWP	PLCC68	plastic leaded chip carrier; 68 leads	SOT188-2

## 4 BLOCK DIAGRAM

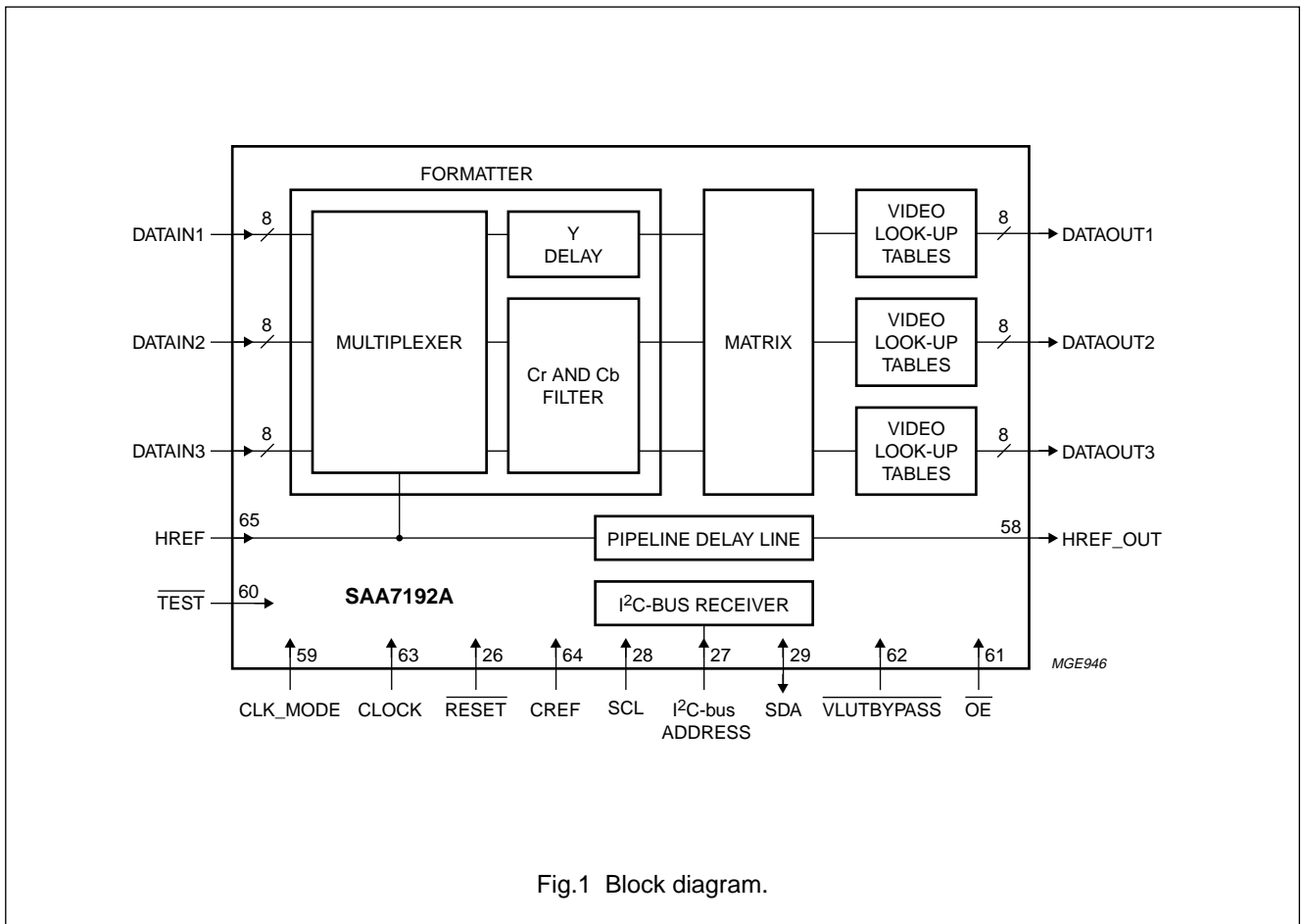


Fig.1 Block diagram.

## Digital Colour Space Converter (DCSC)

SAA7192A

## 5 PINNING

SYMBOL	PIN	I/O	DESCRIPTION
DATAIN21	1	I	colour difference signal Cr1
DATAIN22	2	I	colour difference signal Cr2
DATAIN23	3	I	colour difference signal Cr3
DATAIN24	4	I	colour difference signal Cr4
DATAIN25	5	I	colour difference signal Cr5
DATAIN26	6	I	colour difference signal Cr6
DATAIN27	7	I	colour difference signal Cr7
DATAIN30	8	I	colour difference signal Cb0 or multiplexed Cb and Cr
DATAIN31	9	I	colour difference signal Cb1 or multiplexed Cb and Cr
DATAIN32	10	I	colour difference signal Cb2 or multiplexed Cb and Cr
DATAIN33	11	I	colour difference signal Cb3 or multiplexed Cb and Cr
DATAIN34	12	I	colour difference signal Cb4 or multiplexed Cb and Cr
DATAIN35	13	I	colour difference signal Cb5 or multiplexed Cb and Cr
DATAIN36	14	I	colour difference signal Cb6 or multiplexed Cb and Cr
DATAIN37	15	I	colour difference signal Cb7 or multiplexed Cb and Cr
DATAIN10	16	I	luminance signal Y0
DATAIN11	17	I	luminance signal Y1
V <sub>DD</sub>	18	–	positive supply, voltage core (+5 V)
V <sub>SS</sub>	19	–	negative supply, voltage core (ground)
DATAIN12	20	I	luminance signal Y2
DATAIN13	21	I	luminance signal Y3
DATAIN14	22	I	luminance signal Y4
DATAIN15	23	I	luminance signal Y5
DATAIN16	24	I	luminance signal Y6
DATAIN17	25	I	luminance signal Y7
RESET	26	I	initially resets the functions
I <sup>2</sup> C-bus ADDRESS	27	I	I <sup>2</sup> C-bus slave address selection
SCL	28	I	I <sup>2</sup> C-bus serial clock
SDA	29	I/O	I <sup>2</sup> C-bus serial data
DATAOUT10	30	O	RED0
DATAOUT11	31	O	RED1
DATAOUT12	32	O	RED2
DATAOUT13	33	O	RED3
DATAOUT14	34	O	RED4

## Digital Colour Space Converter (DCSC)

## SAA7192A

SYMBOL	PIN	I/O	DESCRIPTION
V <sub>DD</sub>	35	–	positive supply voltage, output stages (+5 V)
V <sub>SS</sub>	36	–	negative supply, output stages
DATAOUT15	37	O	RED5
DATAOUT16	38	O	RED6
DATAOUT17	39	O	RED7
DATAOUT20	40	O	GREEN0
DATAOUT21	41	O	GREEN1
DATAOUT22	42	O	GREEN2
DATAOUT23	43	O	GREEN3
DATAOUT24	44	O	GREEN4
DATAOUT25	45	O	GREEN5
DATAOUT26	46	O	GREEN6
DATAOUT27	47	O	GREEN7
DATAOUT30	48	O	BLUE0
DATAOUT31	49	O	BLUE1
DATAOUT32	50	O	BLUE2
V <sub>DD</sub>	51	–	positive supply voltage, output stages (+5 V)
V <sub>SS</sub>	52	–	negative supply, output stages
DATAOUT33	53	O	BLUE3
DATAOUT34	54	O	BLUE4
DATAOUT35	55	O	BLUE5
DATAOUT36	56	O	BLUE6
DATAOUT37	57	O	BLUE7
HREF_OUT	58	O	delayed horizontal reference signal
CLK_MODE	59	I	16 MHz or DMSD clock mode selection
$\overline{\text{TEST}}$	60	I	test mode, active LOW, usually not connected
$\overline{\text{OE}}$	61	I	output enable (fast switch)
$\overline{\text{VLUTBYPASS}}$	62	I	fast switch to operate the VLUTs in bypass
CLOCK	63	I	system clock
CREF	64	I	clock reference signal (DMSD mode)
HREF	65	I	horizontal reference signal
DATAIN20	66	I	colour difference signal Cr0
V <sub>DD</sub>	67	–	positive supply, voltage core (+5 V)
V <sub>SS</sub>	68	–	negative supply, voltage core (ground)

Digital Colour Space Converter (DCSC)

SAA7192A

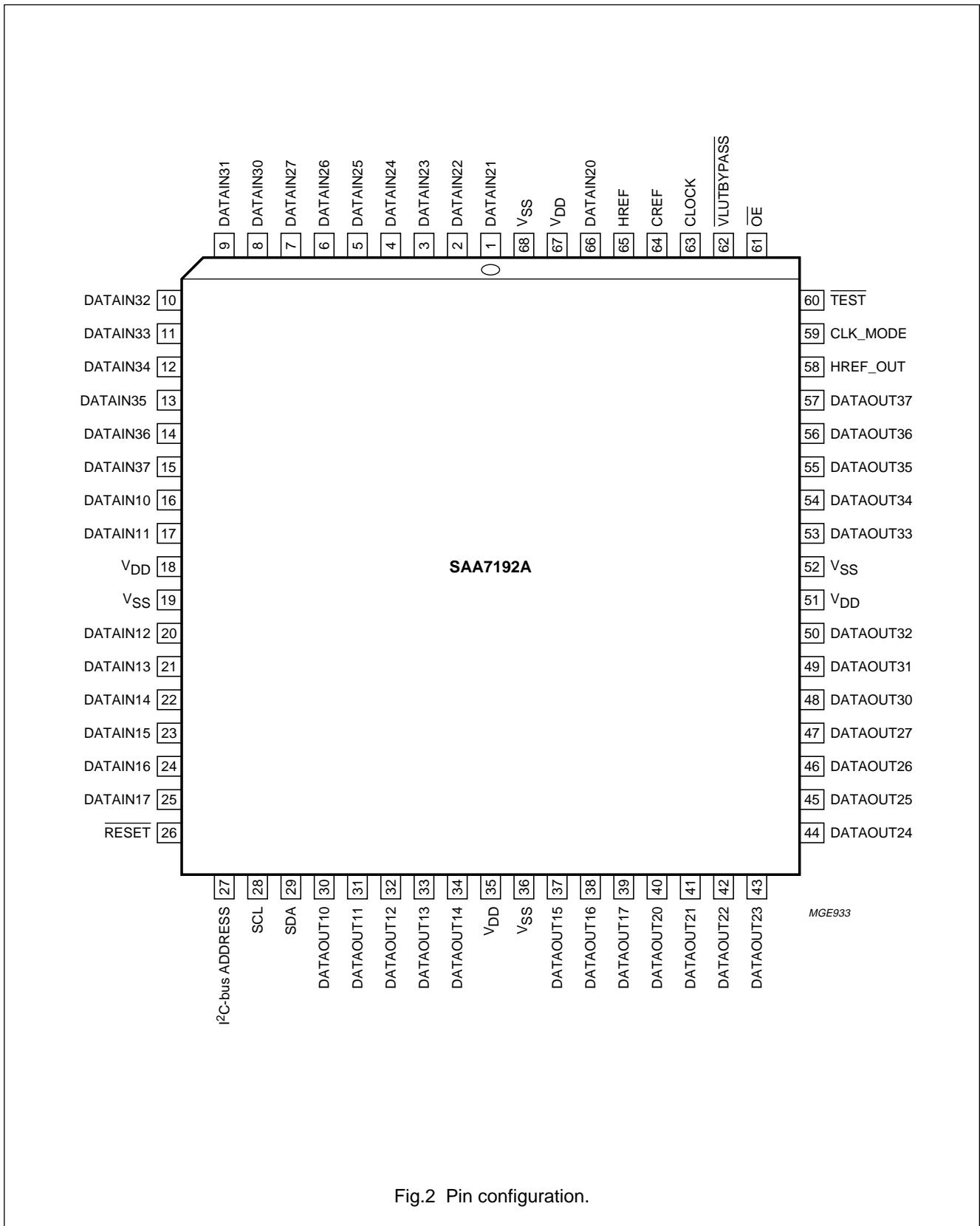


Fig.2 Pin configuration.

# Digital Colour Space Converter (DCSC)

# SAA7192A

## 6 FUNCTIONAL DESCRIPTION

### 6.1 Functional modes

**Table 1** Functional modes (note 1)

MODE	FUNCTION
1	4 : 1 : 1 filter, no matrix, no VLUT; DATAOUT = upsampled DATAIN
2	4 : 1 : 1 filter, matrix, no VLUT; DATAOUT = RGB
3	4 : 1 : 1 filter, no matrix, VLUT; DATAOUT = upsampled DATAIN multiplied by the factor loaded into the VLUT
4	4 : 1 : 1 filter, matrix, VLUT; DATAOUT = RGB multiplied by the factor loaded into the VLUT
5	4 : 2 : 2 filter, no matrix, no VLUT; DATAOUT = upsampled DATAIN
6	4 : 2 : 2 filter, matrix, no VLUT; DATAOUT = RGB
7	4 : 2 : 2 filter, no matrix, VLUT; DATAOUT = upsampled DATAIN multiplied by the factor loaded into the VLUT
8	4 : 2 : 2 filter, matrix, VLUT; DATAOUT = RGB multiplied by the factor loaded into the VLUT
9	no filter, no matrix, no VLUT; DATAOUT = DATAIN 'Process Bypass'
10	no filter, matrix, no VLUT; DATAOUT = RGB
11	no filter, no matrix, VLUT; DATAOUT = DATAIN multiplied by the factor loaded into the VLUT
12	no filter, matrix, VLUT; DATAOUT = RGB multiplied by the factor loaded into the VLUT

**Note**

1. Figures 3 to 10 illustrate the functional modes.

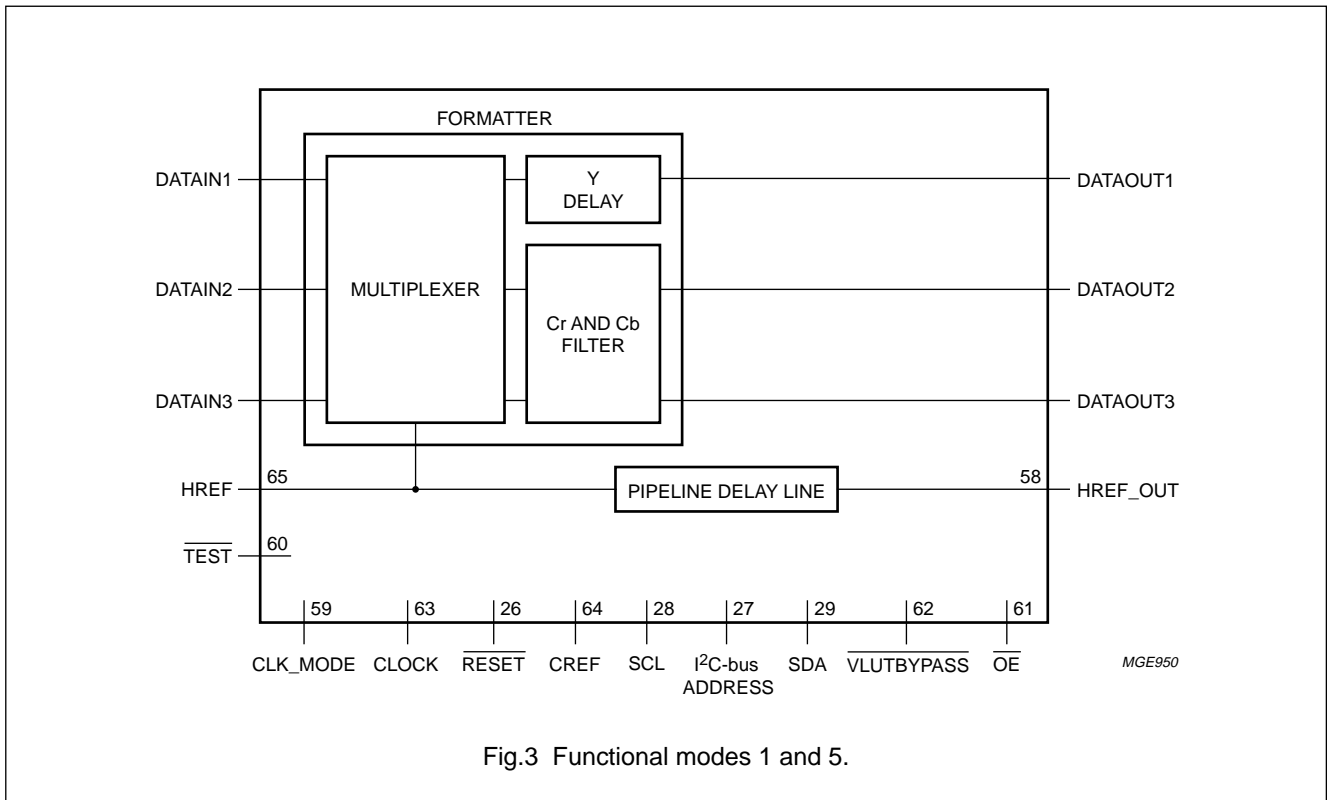
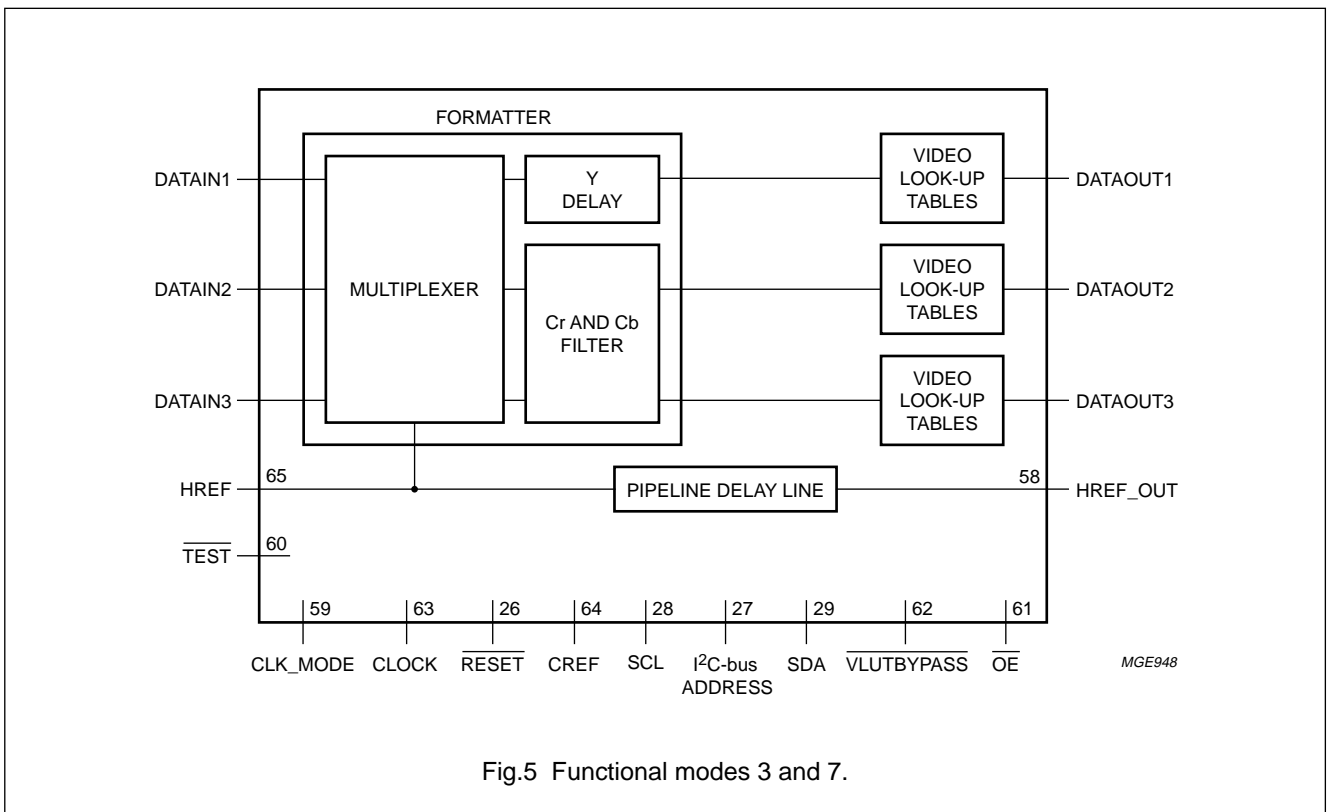
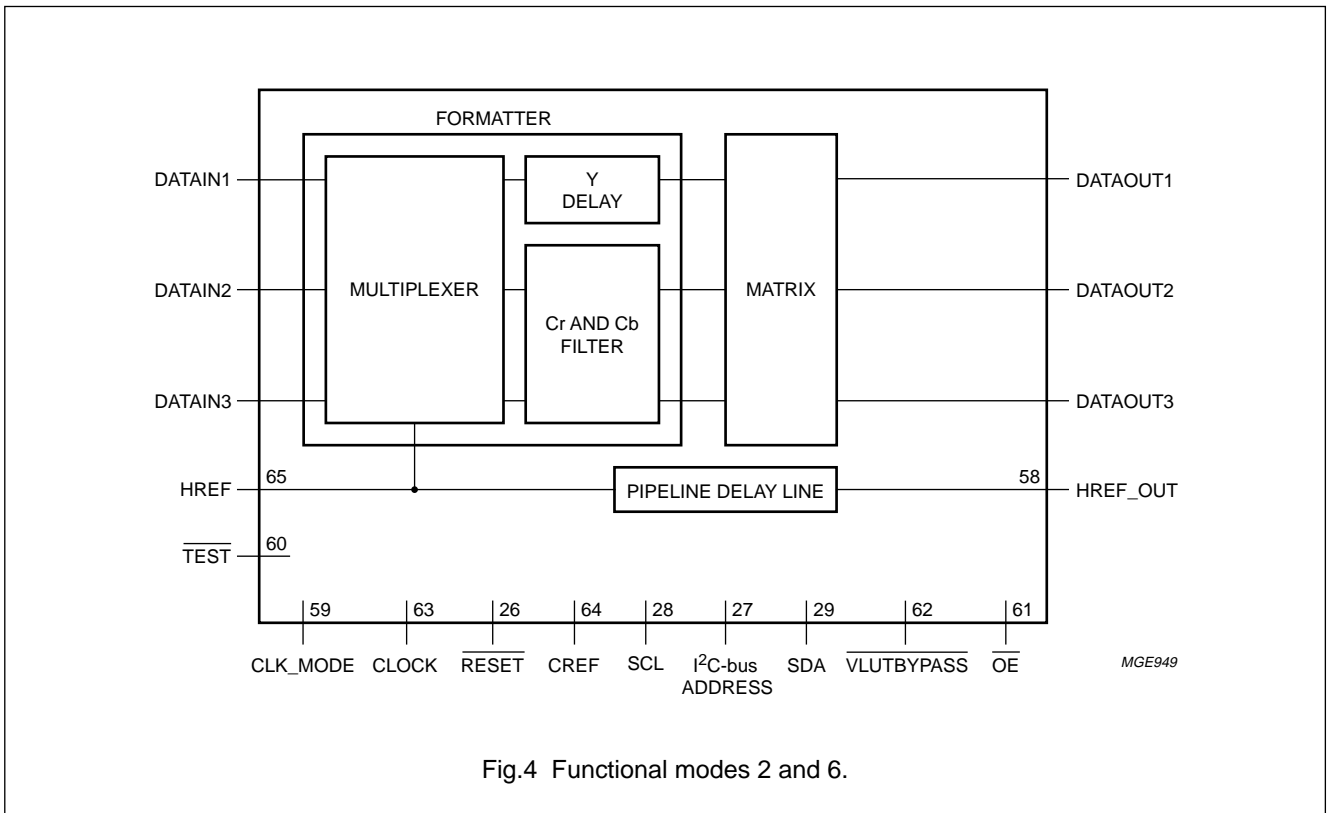


Fig.3 Functional modes 1 and 5.

Digital Colour Space Converter (DCSC)

SAA7192A





Digital Colour Space Converter (DCSC)

SAA7192A

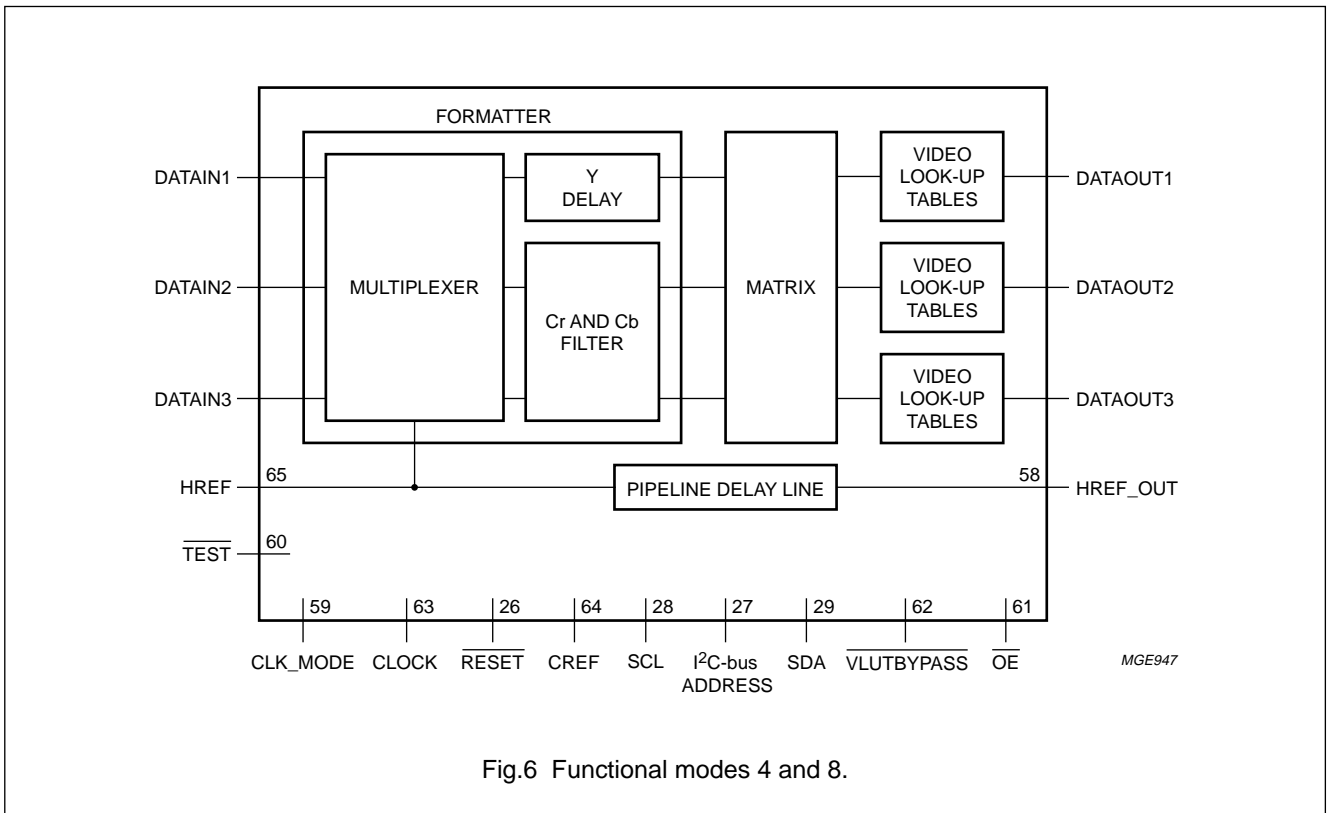


Fig.6 Functional modes 4 and 8.

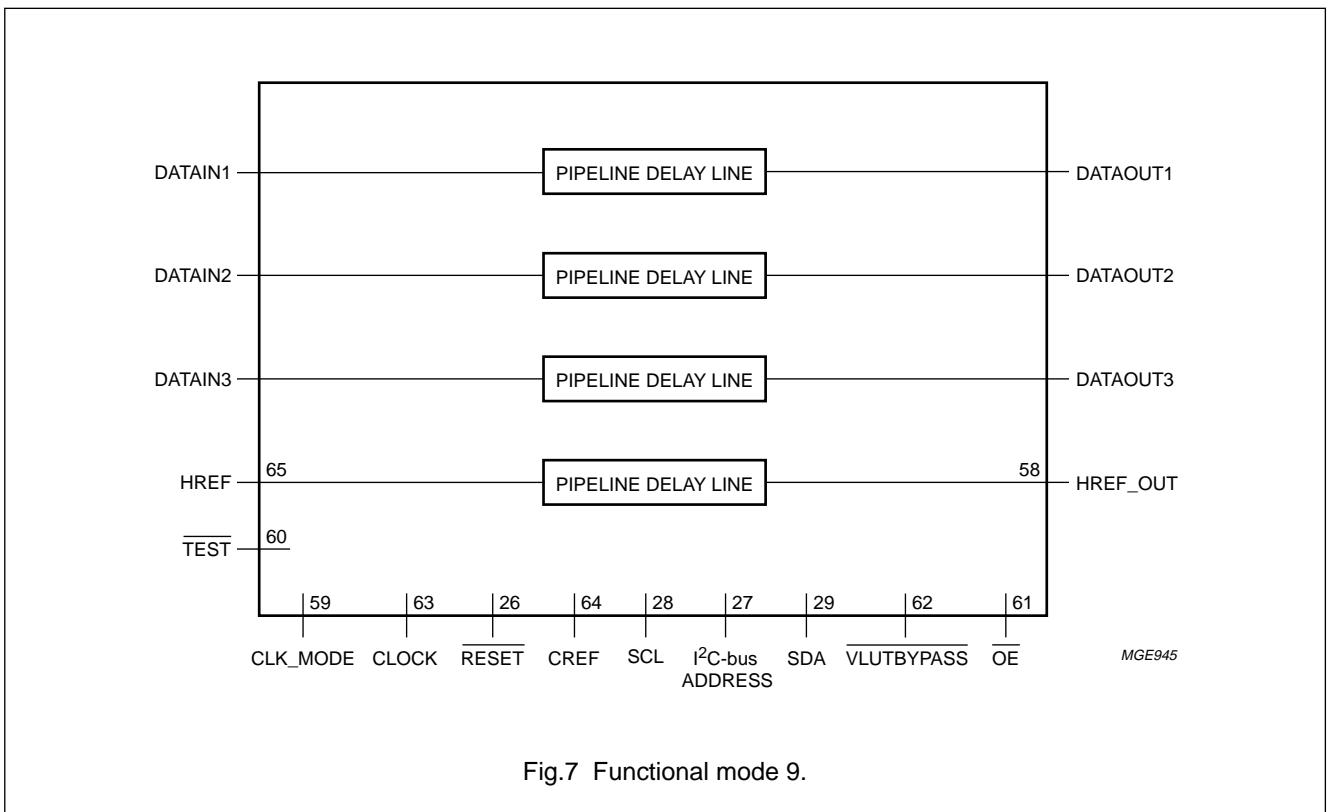
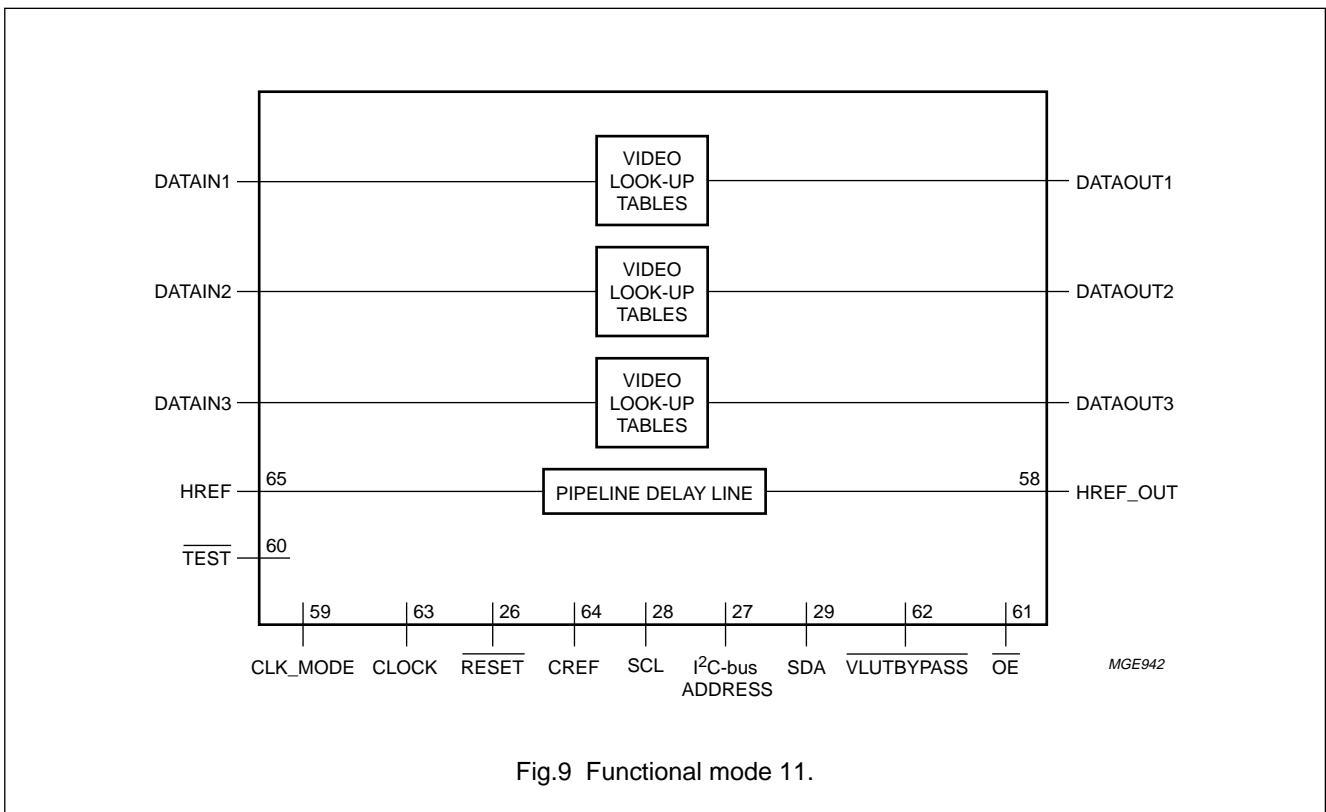
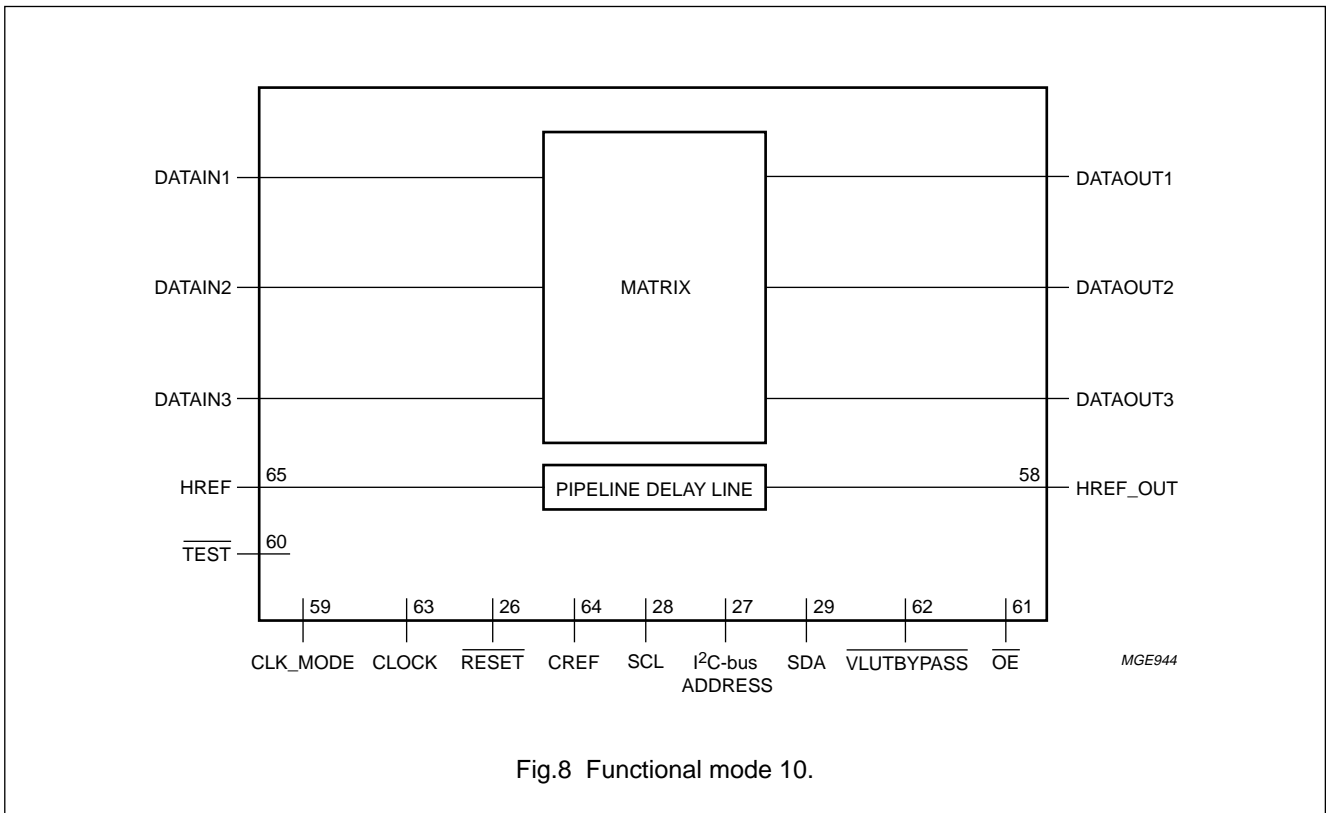


Fig.7 Functional mode 9.

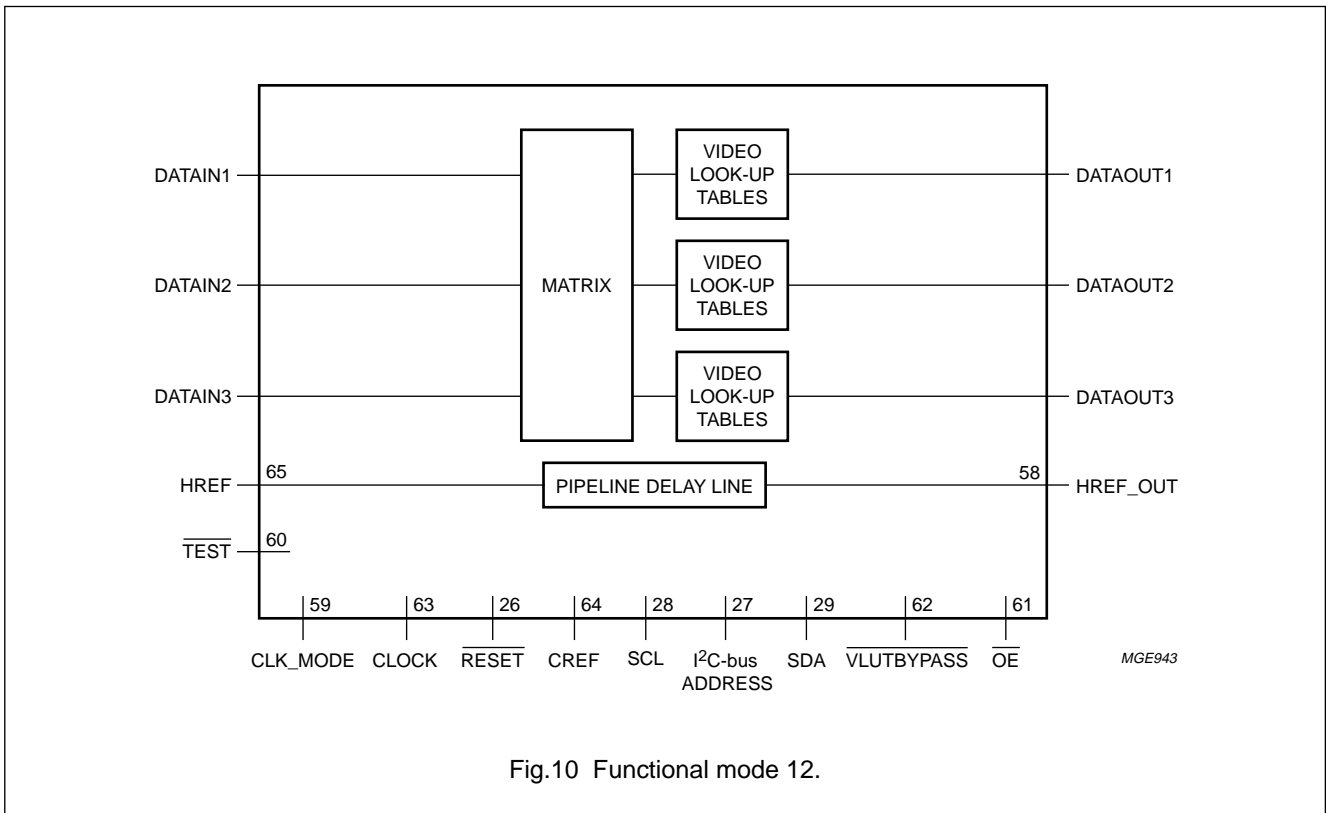
Digital Colour Space Converter (DCSC)

SAA7192A



# Digital Colour Space Converter (DCSC)

# SAA7192A



## Digital Colour Space Converter (DCSC)

SAA7192A

## 6.2 Control

## 6.2.1 CONTROL SIGNALS

After power-up all internal control signals are in undefined states. The I<sup>2</sup>C-bus receiver must therefore be reset by using the external  $\overline{\text{RESET}}$  signal.

Table 2 I<sup>2</sup>C-bus controls (subaddress 00H)

SIGNAL	BIT	FUNCTION
FMTCNTRL	D0 to D2	000; 4 : 1 : 1 format, DMSD2 format
		001; 4 : 1 : 1 format, customized format
		010; 4 : 2 : 2 format, from DMSD2
		011; 4 : 2 : 2 format, parallel
		100; 4 : 4 : 4 format, parallel; default
		101; not used
		110; not used
		111; not used
MATBYPASS	D3	logic 1; matrix in use
		logic 0; matrix bypassed; default state after reset
$\overline{\text{INRESET}}$	D4	logic 1; input latches at the formatter are always transparent
		logic 0; at the end of each active video line the input signal will be set to fixed values (Y to 16; Cr, Cb to 128; if HREF = 0); default state after reset
IICOE	D5	logic 1; $\overline{\text{OE}}$ enabled
		logic 0; switches the output to high impedance mode; default state after reset

Table 3 Selection of functional modes and input formats (see Table 1)

FMTCNTRL <sup>(1)</sup>	MATBYPASS <sup>(2)</sup>	VLUTBYPASS <sup>(3)</sup>	FUNCTIONAL MODE/INPUT FORMAT
000	0	0	mode 1, input format 0
000	1	0	mode 2, input format 0
001	0	0	mode 1, input format 1
001	1	0	mode 2, input format 1
010	0	0	mode 5, input format 2
010	1	0	mode 6, input format 2
011	0	0	mode 5, input format 3 (parallel IN)
011	1	0	mode 6, input format 3 (parallel IN)
100	0	0	mode 9, input format 4 (parallel IN)
100	1	0	mode 10, input format 4 (parallel IN)
XXX	X	1	each of the above modes will be multiplied by the factor loaded into the VLUT

## Notes

1. FMTCNTRL: bits D0 to D2 of I<sup>2</sup>C-bus.
2. Bit D3 of I<sup>2</sup>C-bus.
3. Pin 62.

## Digital Colour Space Converter (DCSC)

## SAA7192A

**Table 4** Real-time control signals

SIGNAL	PIN	FUNCTION
$\overline{OE}$	61	logic 1; switches the output to high impedance mode
		logic 0; output enable, output stage in use
$\overline{VLUTBYPASS}$	62	logic 1; VLUTs in use
		logic 0; VLUTs bypassed
$\overline{RESET}$	26	logic 1; device in use
		logic 0; general reset
CLK_MODE	59	logic 1; DMSD mode (LL27 clock of DMSD feeds the DCSC)
		logic 0; DCSC is fed by a clock signal with a maximum data rate of 16 MHz (without CREF signal).

**Table 5** Output enable control

IICOE <sup>(1)</sup>	$\overline{OE}$ <sup>(2)</sup>	STATE OF CONTROL LINE TO DRIVER STAGES
0	X	logic 1; DATAOUT in high impedance mode
1	1	logic 1; DATAOUT in high impedance mode
1	0	logic 0; DATAOUT working

**Notes**

- IICOE: D5; output enable control of I<sup>2</sup>C-bus (enables  $\overline{OE}$ ).
- $\overline{OE}$ : pin 61; output enable (fast switch).

## 6.2.2 CLOCK

The CLK\_MODE signal is used to select the frequency of the system clock (denoted as CLOCK at the DCSC input) and may be chosen from two different clock modes.

## 6.2.2.1 16 MHz mode

DCSC is used in any environment except that of the MPC-E decoder family. The clock reference signal (CREF) is internally set HIGH.

The maximum CLOCK frequency is 16 MHz.

## 6.2.2.2 DMSD mode

The DCSC is used in MPC-E digital decoder environment.

The CLOCK signal (pin 63) and the CREF signal (pin 64) are fed by the clock generator circuits or by one of the decoder circuits (clock = LL27). In the latter case the clock is twice the data rate. Internally the clock is set by referencing to CREF (see Section 6.2.2.3). This internal clock is denoted as CLOCK\_A in Tables 7, 9, 11, 13 and 15.

The data rate on the input (DATAIN) is as follows:

- 12.2727 MHz; 60 Hz signals (from SAA7191/7110A)
- 13.5 MHz; CCIR signals (from SAA7151/7111A)
- 14.75 MHz; 50 Hz signals (from SAA7191/7110A)
- 16.0 MHz; maximum frequency.

## Digital Colour Space Converter (DCSC)

SAA7192A

### 6.2.2.3 Timing reference

The timing reference signals from the MPC-E decoders are used to synchronize the multiplexer and refers to the LL27 clock. Each alternative positive slope, marked by a CREF signal, is used to obtain data.

The horizontal reference signal, HREF, indicates the active part of a line and also synchronizes the multiplexer.

- CREF: the clock reference signal is a clock qualifier signal distributed by the clock generator of the DMSD system. The frequency is identical to the sample rates denoted in the input and the output formats (see Section 6.3 and also Chapter 7).
- HREF: the horizontal reference signal is the line reference signal of the YUV-bus. A positive slope marks the beginning of the active part of a line. The length of the active part corresponds to the number of samples (see Chapter 7).

### 6.2.3 ERROR CONDITION

No information signal is available to the peripheral circuits to inhibit unwanted operations. In the advent of an error the DCSC must be re-started by application of the  $\overline{\text{RESET}}$  signal.

## 6.3 System I/O interfaces

### 6.3.1 VIDEO DATA INPUT SIGNALS

**Table 6** Format 0 (4 : 1 : 1, semi-parallel, MPC-E decoder family format)

INPUT	FUNCTION	SAMPLING FREQUENCY (MHz)	LEVEL
DATAIN1 = Y	luminance signal; 8-bit	12 to 16	0 IRE: black, quantization level 16 100 IRE: white, quantization level 235
DATAIN2	not used	–	–
DATAIN3 = U, V	multiplexed colour difference signals 4-bit; corresponds to UV7 to UV4 of DMSD2	$\frac{1}{4}$ of the Y signal	bottom peak; quantization level 16 top peak; quantization level 240 colourless; quantization level 128

**Table 7** Timing of Format 0; pin (DATAIN) and bit (U, V) numbers are indicated except clock

Y	Y0	Y1	Y2	Y3	Y4	Y5	Y6
DATAIN37	U7	U5	U3	U1	U7	U5	U3
DATAIN36	U6	U4	U2	U0	U6	U4	U2
DATAIN35	V7	V5	V3	V1	V7	V5	V3
DATAIN34	V6	V4	V2	V0	V6	V4	V2
CLOCK_A <sup>(1)</sup>	1	2	3	4	5	6	7

#### Note

1. CLOCK\_A is the internal sampling clock of the system. The clock rate of the DMSD and the DCSC is twice that of CLOCK\_A in this mode.

## Digital Colour Space Converter (DCSC)

## SAA7192A

**Table 8** Format 1 (4 : 1 : 1, semi-parallel, customized format)

INPUT	FUNCTION	SAMPLING FREQUENCY (MHz)	LEVEL
DATAIN1 = Y	luminance signal; 8-bit	12 to 16	0 IRE: black, quantization level 16 100 IRE: white, quantization level 235
DATAIN2	not used	–	–
DATAIN3 = Cr, Cb	multiplexed colour difference signals, 8-bit	$\frac{1}{4}$ of the Y signal	bottom peak; quantization level 16 top peak; quantization level 240 colourless; quantization level 128

**Table 9** Timing of Format 1; the indices show the clock (sample) number

Y	Y0	Y1	Y2	Y3	Y4	Y5	Y6
Cr, Cb	Cb0	–	Cr0	–	Cb4	–	Cr4
CLOCK_A <sup>(1)</sup>	0	1	2	3	4	5	6

**Note**

1. CLOCK\_A is the internal sampling clock of the system. The external CLOCK may differ from the CLK\_MODE.

**Table 10** Format 2 (4 : 2 : 2, semi-parallel, DMDS2 format)

INPUT	FUNCTION	SAMPLING FREQUENCY (MHz)	LEVEL
DATAIN1 = Y	luminance signal; 8-bit	12 to 16	0 IRE: black, quantization level 16 100 IRE: white, quantization level 235
DATAIN2	not used	–	–
DATAIN3 = Cr, Cb	multiplexed colour difference signals; corresponds to UV7 to UV0 of DMDS2	$\frac{1}{2}$ of the Y signal	bottom peak; quantization level 16 top peak; quantization level 240 colourless; quantization level 128

**Table 11** Timing of Format 2

Y	Y0	Y1	Y2	Y3	Y4	Y5	Y6
Cr, Cb	Cb0	Cr0	Cb2	Cr2	Cb4	Cr4	Cb6
CLOCK_A <sup>(1)</sup>	0	1	2	3	4	5	6

**Note**

1. CLOCK\_A is the internal sampling clock of the system. The clock of the DMDS (also the CLOCK of the DCSC) is twice that of CLOCK\_A in this mode.

## Digital Colour Space Converter (DCSC)

## SAA7192A

**Table 12** Format 3 (4 : 2 : 2, Y-Cr-Cb, parallel)

INPUT	FUNCTION	SAMPLING FREQUENCY (MHz)	LEVEL
DATAIN1 = Y	luminance signal; 8-bit	12 to 16	0 IRE: black, quantization level 16 100 IRE: white, quantization level 235
DATAIN2 = Cr	colour difference signal R-Y; 8-bit	$\frac{1}{2}$ of the Y signal	bottom peak; quantization level 16 top peak; quantization level 240 colourless; quantization level 128
DATAIN3 = Cb	colour difference signal B-Y; 8-bit	$\frac{1}{2}$ of the Y signal	bottom peak; quantization level 16 top peak; quantization level 240 colourless; quantization level 128

**Table 13** Timing of Format 3

Y	Y0	Y1	Y2	Y3	Y4	Y5	Y6
Cb	Cb0	–	Cb2	–	Cb4	–	Cb6
Cr	Cr0	–	Cr2	–	Cr4	–	Cr6
CLOCK_A <sup>(1)</sup>	0	1	2	3	4	5	6

**Note**

1. CLOCK\_A is the internal sampling clock of the system. The external CLOCK may differ from the CLK\_MODE.

**Table 14** Format 4 (4 : 4 : 4, Y-Cr-Cb, parallel)

INPUT	FUNCTION	SAMPLING FREQUENCY (MHz)	LEVEL
DATAIN1 = Y	luminance signal; 8-bit	12 to 16	0 IRE: black, quantization level 16 100 IRE: white, quantization level 235
DATAIN2 = Cr	colour difference signal R-Y; 8-bit	as the Y signal	bottom peak; quantization level 16 top peak; quantization level 240 colourless; binary 128
DATAIN3 = Cb	colour difference signal B-Y; 8-bit	as the Y signal	bottom peak; quantization level 16 top peak; quantization level 240 colourless; quantization level 128

**Table 15** Timing of Format 4

Y	Y0	Y1	Y2	Y3	Y4	Y5	Y6
Cb	Cb0	Cb1	Cb2	Cb3	Cb4	Cb5	Cb6
Cr	Cr0	Cr1	Cr2	Cr3	Cr4	Cr5	Cr6
CLOCK_A <sup>(1)</sup>	0	1	2	3	4	5	6

**Note**

1. CLOCK\_A is the internal sampling clock of the system. The external CLOCK may differ from CLK\_MODE.



# Digital Colour Space Converter (DCSC)

# SAA7192A

### 6.3.2 VIDEO DATA OUTPUT SIGNALS

**Table 16** Format of DATAOUT (R-G-B if matrix in use)

OUTPUT	FUNCTION	SAMPLING FREQUENCY (MHz)	LEVEL
DATAOUT1 = R	red signal	equal to DATAIN1	0 IRE: black, binary 16 100 IRE: white, binary 235
DATAOUT2 = G	green signal	equal to DATAIN1	0 IRE: black, binary 16 100 IRE: white, binary 235
DATAOUT3 = B	blue signal	equal to DATAIN1	0 IRE: black, binary 16 100 IRE: white, binary 235

**Table 17** Timing of DATAOUT (R-G-B if matrix in use); note 1

DATAOUT1 <sup>(2)</sup>	R0	R1	R2	R3	R4	R5	R6
DATAOUT2 <sup>(2)</sup>	G0	G1	G2	G3	G4	G5	G6
DATAOUT3 <sup>(2)</sup>	B0	B1	B2	B3	B4	B5	B6
CLOCK_A <sup>(3)</sup>	0	1	2	3	4	5	6

**Notes**

1. See Fig.24.
2.  $\overline{OE}$  (output enable, fast switch, active LOW) and IICOE (I<sup>2</sup>C-bus output enable, active HIGH) will switch the DATAOUT lines to their high impedance state or normal mode.
3. CLOCK\_A is the internal sampling clock of the system. The system clock may differ from CLK\_MODE.

### 6.3.3 AUXILIARY DATA

Pipelined external reference signal HREF\_OUT (delayed HREF).

The delay line (word length 1-bit) has the same duration as the signal processing of the video data lines.

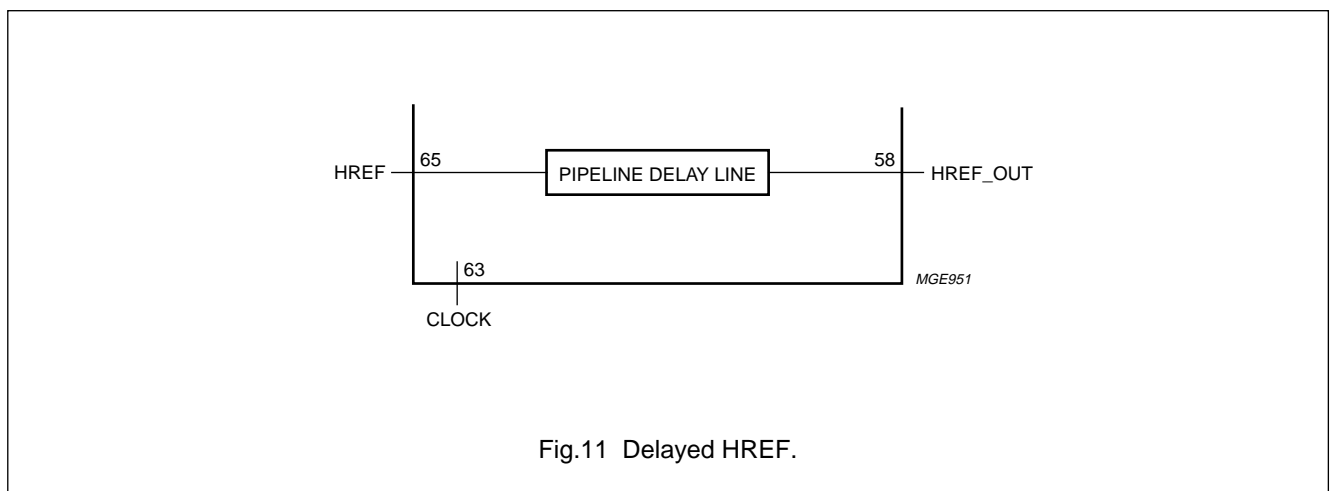


Fig.11 Delayed HREF.

# Digital Colour Space Converter (DCSC)

# SAA7192A

## 6.4 System block description

### 6.4.1 INPUT FORMATTER WITH FILTER

The formatter is shown in Fig.12 and consists of five functional blocks:

- The multiplexer, which decodes the luminance and chrominance input signals
- The filter, which interpolates the samples on DATAIN2 and DATAIN3 to the data rate used for DATAIN1
- The luminance delay line
- The timing control which creates the internal reference signals from the various inputs
- The bypass output multiplexer.

The data applied at DATAIN1 to DATAIN3 is converted as follows:

- FIL1: Y Luminance
- FIL2: Cr colour-difference signal R-Y
- FIL3: Cb colour-difference signal B-Y.

In the various functional modes the signal FMTCTRL switches in the required filters (see Section 6.2).

In all modes the same propagation delay will be realized, (the reference is Cb0, respective to U7 with format 0).

At all frequencies and in all formats, there is a delay line to compensate for the delay of the signal processing time needed in the chrominance section.

The filter for the Cr and Cb signal is realized in one filter design.

- Format 0 and 1; 4 : 1 : 1

An interpolating filter is inserted to convert the original sampling frequency to the sampling frequency of the luminance signal i.e. four times that of the colour signal. Figure 13 illustrates the frequency response of the chrominance section.

- Format 2 and 3; 4 : 2 : 2

An interpolating filter is inserted to convert the original sampling frequency to the sampling frequency of the luminance signal i.e. twice the colour signal. Figure 14 illustrates the frequency response of the chrominance section.

- Format 4; 4 : 4 : 4

A bypass with a specified delay is inserted.

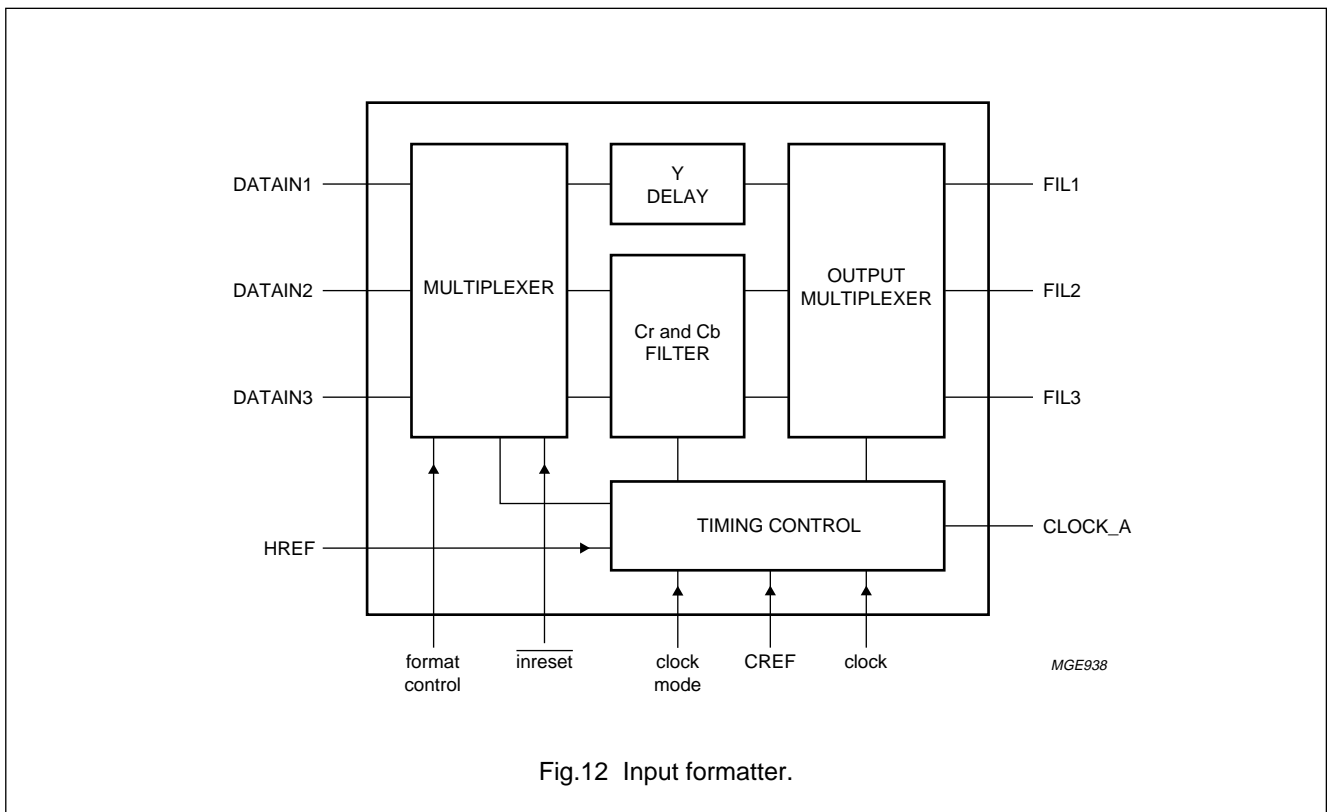


Fig.12 Input formatter.

Digital Colour Space Converter (DCSC)

SAA7192A

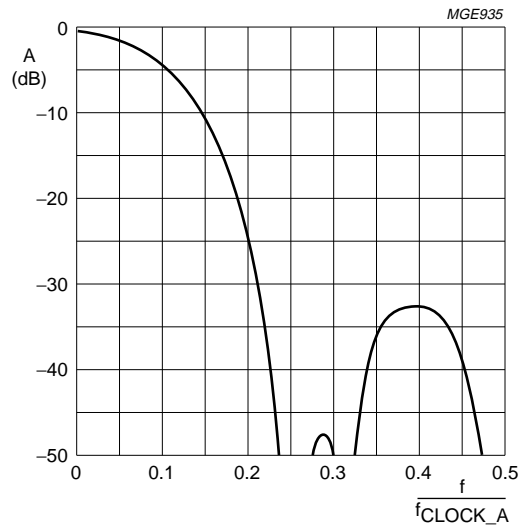


Fig.13 Frequency response of 4 : 1 : 1 filter.

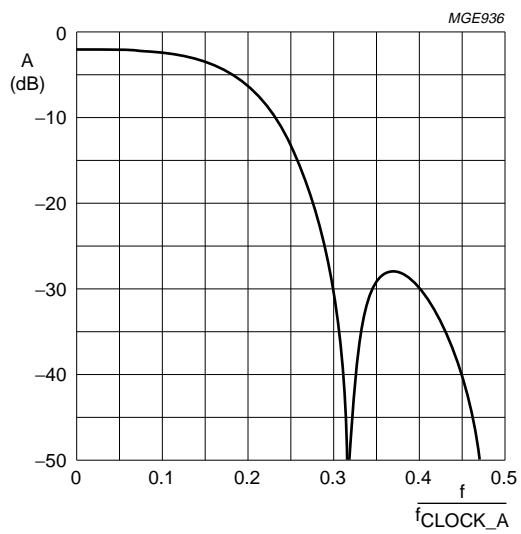


Fig.14 Frequency response of 4 : 2 : 2 filter.

## Digital Colour Space Converter (DCSC)

## SAA7192A

## 6.4.2 CONVERSION MATRIX

The properties of the conversion matrix are as follows:

- The conversion equations are (according to "CCIR 601", with respect to the different quantization on Y, Cb and Cr)
  - Red =  $Y + 1.371(Cr - 0.5)$
  - Green =  $Y - 0.698(Cr - 0.5) - 0.336(Cb - 0.5)$
  - Blue =  $Y + 1.732(Cb - 0.5)$
- The accuracy of the signal processing is within  $\pm 0.5\%$  of the accuracy of a theoretical conversion
- The input and output data lines are 8-bit

- In the advent of non-standard input levels, the limiter reduces the possible output data values to between 0 and 255
- $\overline{\text{MATBYPASS}}$  switches the matrix in bypass which has the same propagation delay as the matrix itself.

Table 18 shows the levels as normalized to unity for primary RGB signals, quantized levels according to "CCIR Report 629-2" for input and output signals at the DCSC.

The RGB levels at the output of the DCSC are within  $\pm 1$  LSB of the levels according to a theoretical transformation.

**Table 18** Levels of the colour bar signal (note 1)

CONDITION	E' <sub>R</sub>	E' <sub>G</sub>	E' <sub>B</sub>	Y	C <sub>R</sub>	C <sub>B</sub>	R	G	B
White	1.0	1.0	1.0	235	128	128	235	235	235
Black	0	0	0	16	128	128	16	16	16
Red	1.0	0	0	82	240	90	236	17	16
Green	0	1.0	0	145	34	54	16	236	17
Blue	0	0	1.0	41	110	240	16	16	235
Yellow	1.0	1.0	0	210	146	16	235	235	16
Cyan	0	1.0	1.0	170	16	166	16	235	236
Magenta	1.0	0	1.0	106	222	202	235	15	234

**Note**

1. The colour bar signal is described in "CCIR 601, Rep. 629-2, Table 1". It can be used to check the nominal levels (at least for black and white) between the functional blocks of the DCSC.

Digital Colour Space Converter (DCSC)

SAA7192A

6.4.3 VIDEO LOOK-UP TABLE AND OUTPUT STAGE

6.4.3.1 VLUTDATA, VLUTSELECT and VLUTVALID

These signals are produced by the I<sup>2</sup>C-bus receiver to control access to the VLUT RAMs.

The I<sup>2</sup>C-bus protocol has four subaddresses implemented to direct the data into different VLUT RAMs. Each RAM can be addressed individually or all three RAMs together.

The next byte of the protocol will address the starting address of the individual RAM, e.g. if only parts of the data need to be changed.

In computer applications the VLUT is also known as a Colour Look-Up Table (CLUT). In the DCSC this table might be used to invert the Gamma-correction of a camera. This correction is applied to compensate for the non-linear relationship between the video voltage applied to the cathode and the light output of the phosphor of a CRT.

The Gamma-correction function (also known as Gradation) is given as:

$$Y = X^{\gamma}$$

The VLUTs are realized by 256 × 8-bit RAMs.

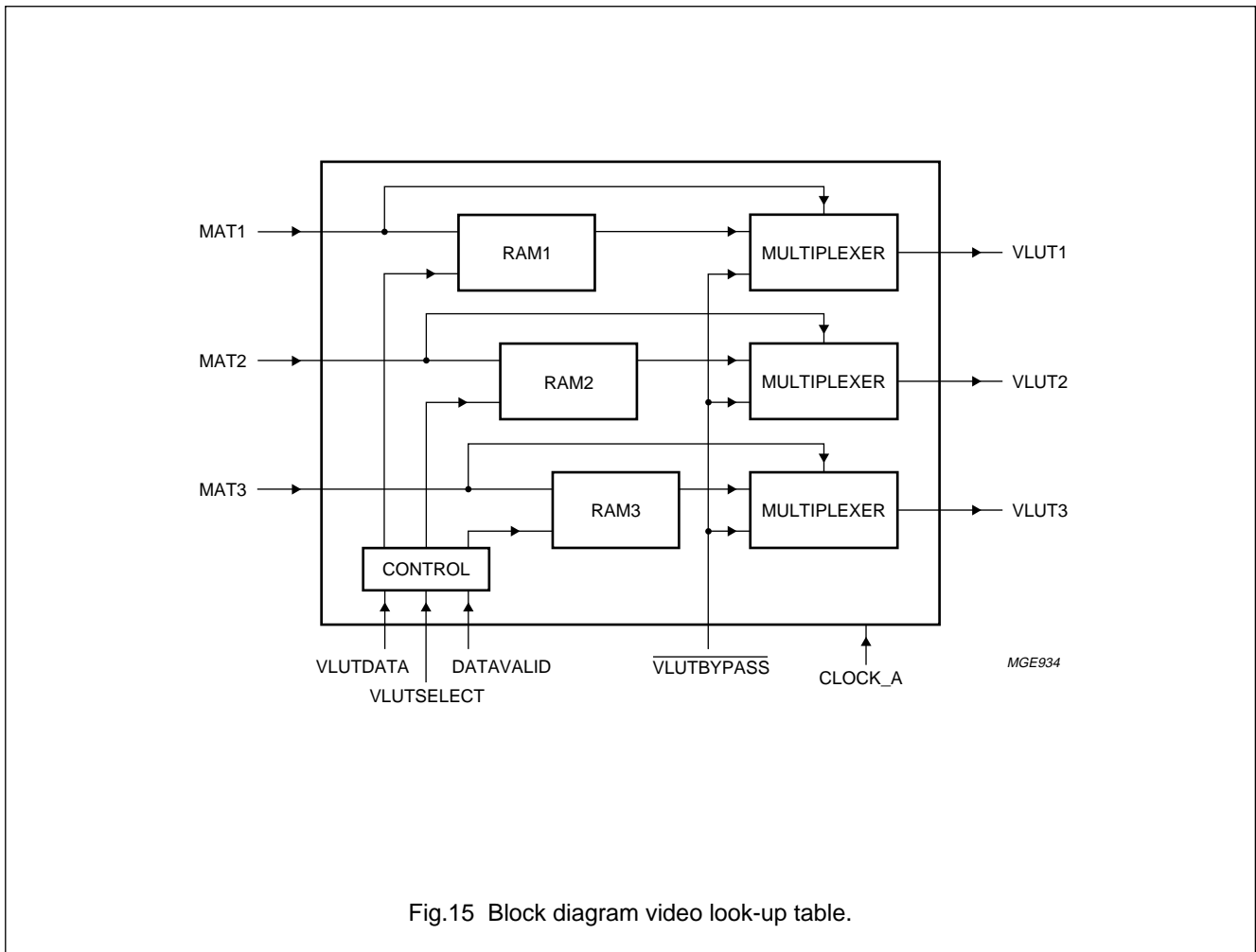


Fig.15 Block diagram video look-up table.

Digital Colour Space Converter (DCSC)

SAA7192A

6.4.4 I<sup>2</sup>C-BUS RECEIVER

The DCSC can be switched to different functional modes via the I<sup>2</sup>C-bus receiver. To carry out this operation the Control Register is addressed and then loaded with the appropriate data as specified in Table 20. The timing diagram for the loading operation is shown in Fig.19. The I<sup>2</sup>C-bus receiver is also used to load the VLUT RAMs with data. The timing diagram for this operation is shown in Fig.21.

Full details of the I<sup>2</sup>C-bus are given in the document "The I<sup>2</sup>C-bus and how to use it". This document may be ordered using the code 9398 393 40011.

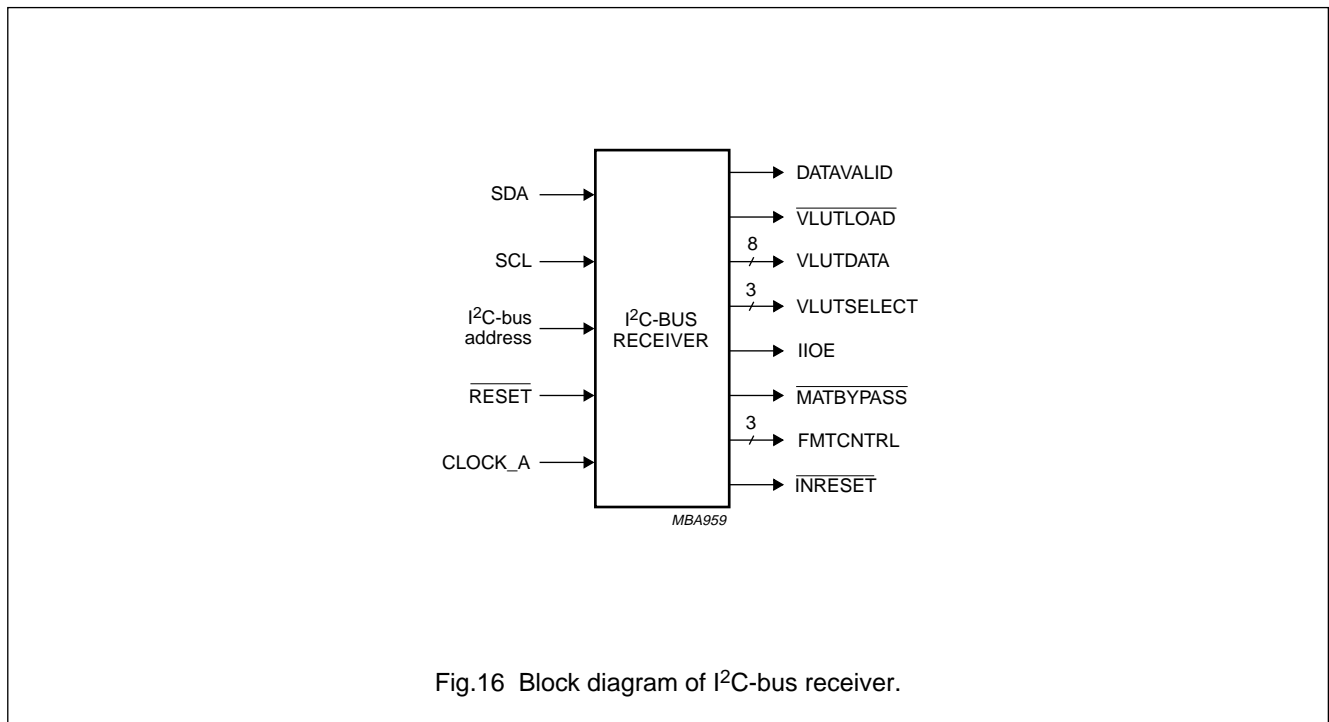


Fig.16 Block diagram of I<sup>2</sup>C-bus receiver.

6.4.4.1 I<sup>2</sup>C-bus receiver functional description

Following power-up, all internal control signals are at undefined values. The I<sup>2</sup>C-bus receiver must therefore be reset to a known state using the external  $\overline{\text{RESET}}$  signal; see Table 19.

**Table 19** State of I<sup>2</sup>C-bus internal control signals (subaddress 00H) after an external reset

SIGNAL	BIT	STATE AFTER RESET
IICOE	D5	logic 1; $\overline{\text{OE}}$ pin enabled
$\overline{\text{INRESET}}$	D4	logic 0; input data set to fixed values
$\overline{\text{MATBPASS}}$	D3	logic 0; matrix by-passed
FMTCNTRL	D2 to D0	100; format 4 : 4 : 4

Digital Colour Space Converter (DCSC)

SAA7192A

6.4.4.2 Receiver organisation

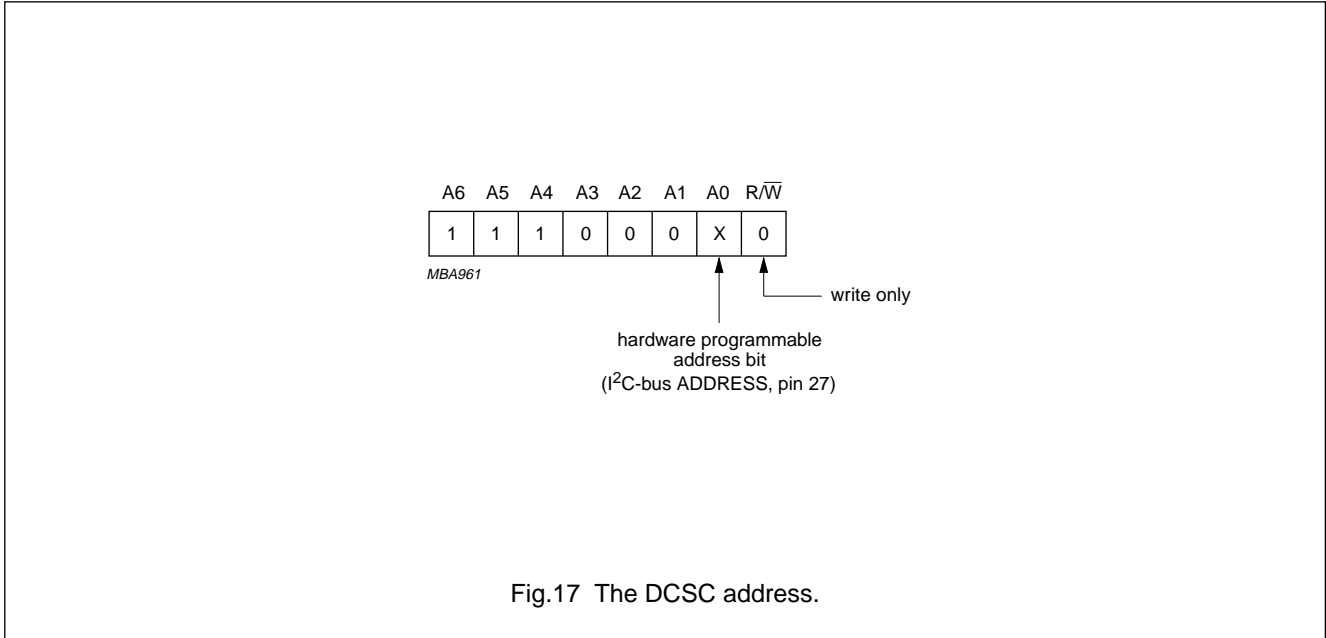
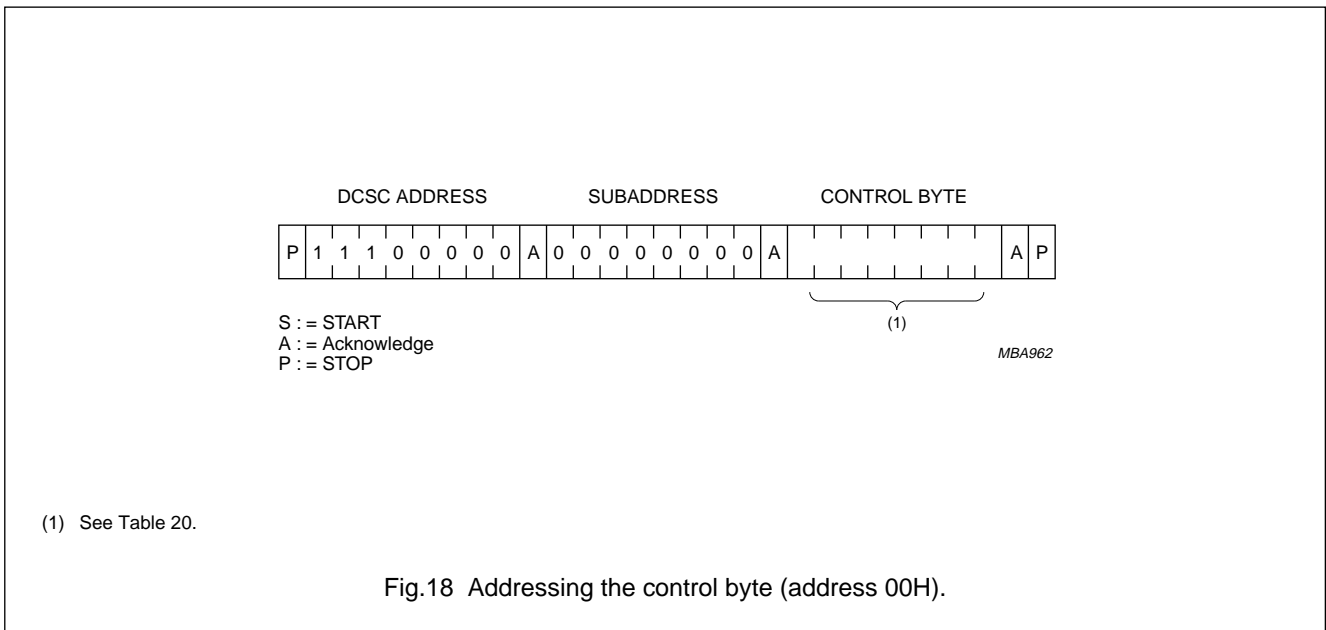


Fig.17 The DCSC address.



(1) See Table 20.

Fig.18 Addressing the control byte (address 00H).

## Digital Colour Space Converter (DCSC)

## SAA7192A

**Table 20** Selection of functional modes and input formats (note 1)

FMTCNTRL <sup>(2)</sup>	MATBYPASS <sup>(3)</sup>	VLUTBYPASS <sup>(4)</sup>	FUNCTIONAL MODE/INPUT FORMAT
000	0	0	mode 1, input format 0
000	1	0	mode 2, input format 0)
001	0	0	mode 1, input format 1
001	1	0	mode 2, input format 1
010	0	0	mode 5, input format 2
010	1	0	mode 6, input format 2
011	0	0	mode 5, input format 3 (parallel IN)
011	1	0	mode 6, input format 3 (parallel IN)
100	0	0	mode 9, input format 4 (parallel IN)
100	1	0	mode 10, input format 4 (parallel IN)
XXX	X	1	each of the above modes will be multiplied by the factor loaded into the VLUT

**Notes**

1. The functional modes are specified in Table 1.
2. FMTCNTRL: bits D0 to D2 of I<sup>2</sup>C-bus.
3. Bit D3 of I<sup>2</sup>C-bus.
4. Pin 62.

**Table 21** Other control signals

SIGNAL	STATE	FUNCTION
INRESET <sup>(1)</sup>	logic 1	input latches at the formatter are always transparent
	logic 0	at the end of each active video line the input signals will be set to fixed values (Y to 16; Cr and Cb to 128; if HREF = 0)
CLK_MODE <sup>(2)</sup>	logic 1	DMSD mode (LL27 clock of DMSD feeds the DCSC)
	logic 0	DCSC is fed by a maximum 16 MHz clock without CREF signal

**Notes**

1. Pin of I<sup>2</sup>C-bus.
2. Pin 59.

**Table 22** Output enable control

IICOE <sup>(1)</sup>	$\overline{OE}$ <sup>(2)</sup>	STATE OF CONTROL LINE TO DRIVER STAGES
0	X	logic 1; DATAOUT in high impedance mode
1	1	logic 1; DATAOUT in high impedance mode
1	0	logic 0; DATAOUT working

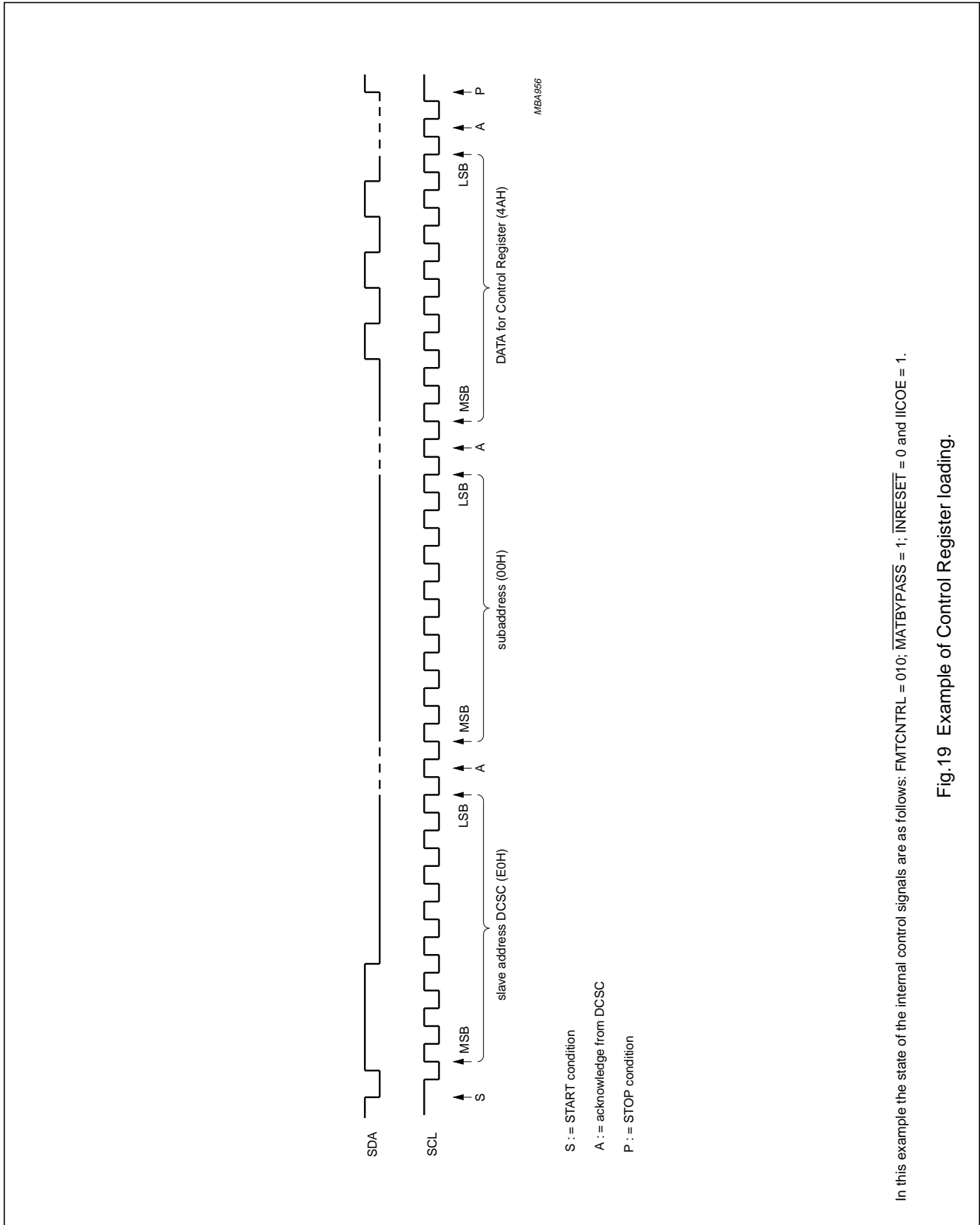
**Notes**

1. IICOE : D5; output enable control of I<sup>2</sup>C-bus (enables  $\overline{OE}$ ).
2.  $\overline{OE}$  : pin 61; output enable (fast switch).



Digital Colour Space Converter (DCSC)

SAA7192A



In this example the state of the internal control signals are as follows:  $\overline{\text{FMTCTRL}} = 010$ ;  $\overline{\text{MATBYPASS}} = 1$ ;  $\overline{\text{INRESET}} = 0$  and  $\overline{\text{IICOE}} = 1$ .

Fig.19 Example of Control Register loading.

Digital Colour Space Converter (DCSC)

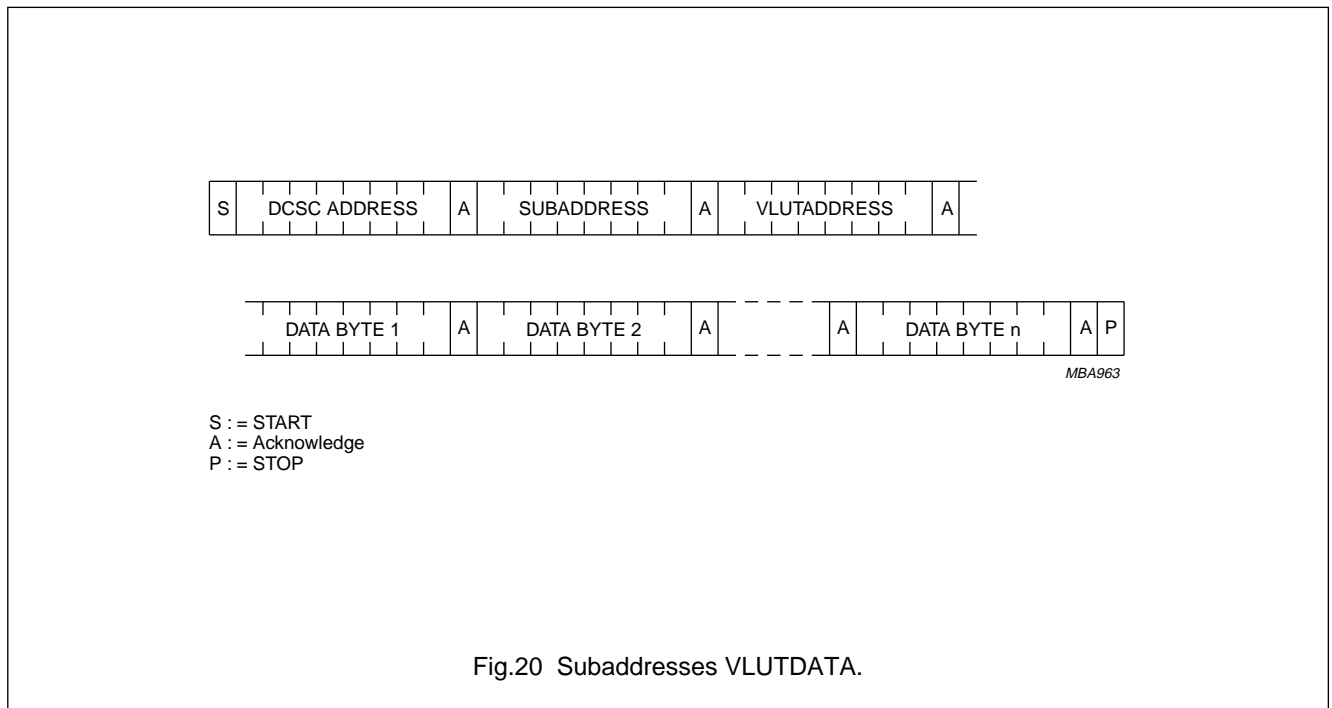
SAA7192A

6.4.4.3 VLUTDATA

Four subaddresses are implemented to load data into the different VLUT RAMs. RAM can be addressed as a whole or each VLUT RAM can be addressed individually, e.g. if only part of the data has to be changed. An example of loading a VLUT RAM is shown in Fig.21.

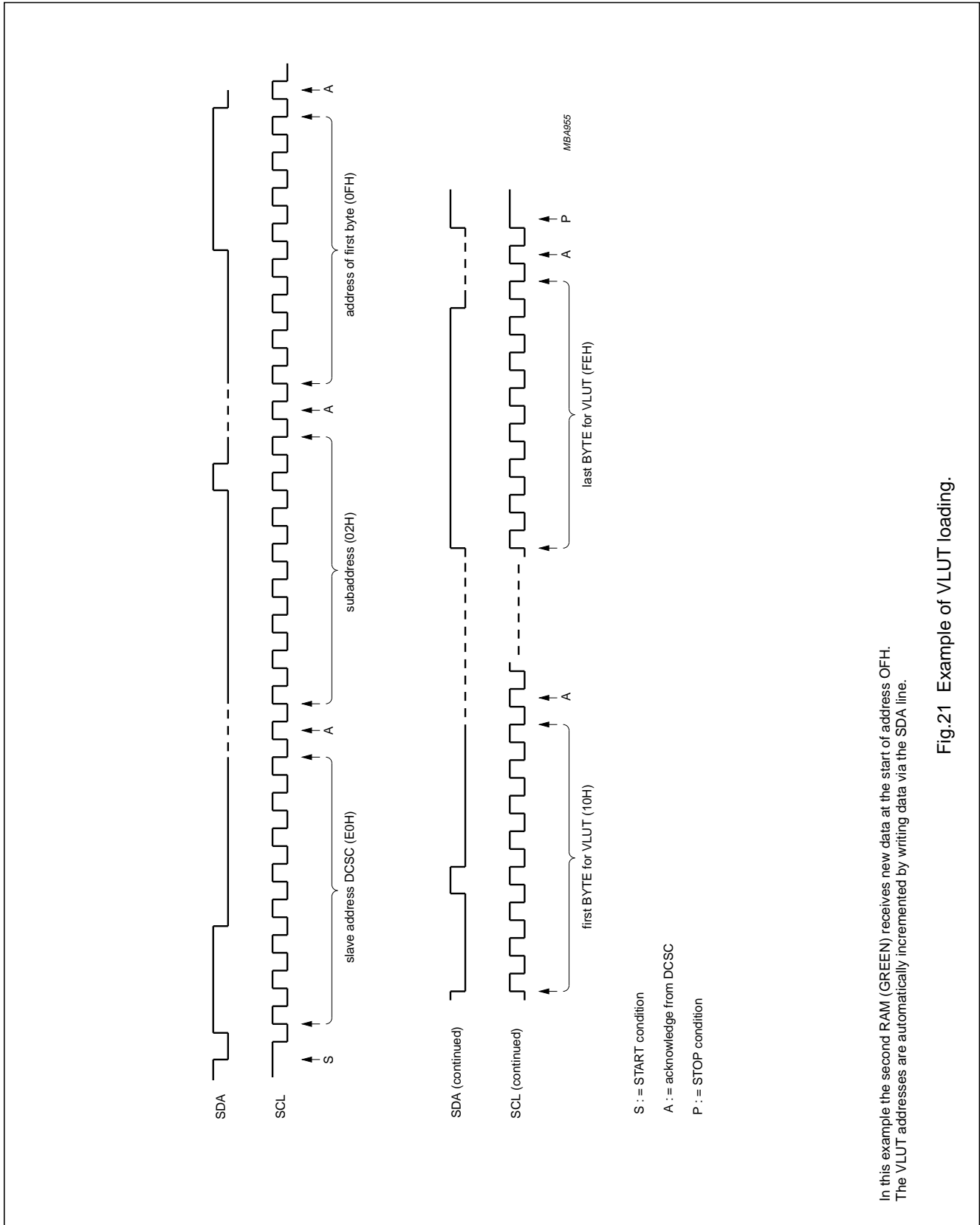
**Table 23** Subaddresses VLUTDATA

SUBADDRESS (HEX)	VLUT-ADDRESS (HEX)	DATA BYTES
01	XX	VLUTDATA RAM 1 (RED)
02	XX	VLUTDATA RAM 2 (GREEN)
03	XX	VLUTDATA RAM 3 (BLUE)
04	XX	VLUTDATA RAM 1, 2 and 3



Digital Colour Space Converter (DCSC)

SAA7192A



In this example the second RAM (GREEN) receives new data at the start of address 0FH. The VLUT addresses are automatically incremented by writing data via the SDA line.

Fig.21 Example of VLUT loading.

## Digital Colour Space Converter (DCSC)

SAA7192A

**7 OPERATING CONDITIONS****7.1 Electrical conditions**

## 7.1.1 START-UP CONDITION

No particular function except the external Power-on-reset e.g. for I<sup>2</sup>C-bus interface (RESET) is intended.

## 7.1.2 OPERATING TIME

As this device will be used in computers, it has been designed to operate continuously.

## 7.1.3 TEMPERATURE RANGE

Refer to Chapter 8.

## 7.1.4 BACKUP

No internal backup capability (standby) is provided.

## 7.1.5 POWER-DOWN MODE

No internal Power-down capability is provided.

## 7.1.6 HANDLING

Inputs and outputs are protected against electrostatic discharge during normal handling. It is desirable, however, to observe normal handling precautions appropriate to MOS devices.

**8 LIMITING VALUES**

In accordance with the Absolute Maximum Rating System (IEC 134).

SYMBOL	PARAMETER	MIN	MAX	UNIT
V <sub>DD</sub>	supply voltage	-0.5	+7	V
V <sub>I</sub>	input voltage	-0.5	+7	V
V <sub>O</sub>	output voltage	-0.5	+7	V
P <sub>tot</sub>	total power dissipation	-	1.5	W
T <sub>stg</sub>	storage temperature range	-65	+150	°C
T <sub>amb</sub>	operating ambient temperature	0	+70	°C

## Digital Colour Space Converter (DCSC)

## SAA7192A

## 9 DC CHARACTERISTICS

SYMBOL	PARAMETER	CONDITIONS	MIN.	MAX.	UNIT
<b>Supply</b>					
$V_{DD}$	supply voltage		4.5	5.5	V
$I_{DD}$	supply current	note 1	–	150	mA
<b>Inputs</b>					
$V_{IL}$	LOW level input voltage: except SDA and SCL SDA and SCL		–0.5 –0.5	+0.8 +1.5	V V
$V_{IH}$	HIGH level input voltage: except SDA, SCL, $\overline{RESET}$ and CLK_MODE SDA and SCL $\overline{RESET}$ and CLK_MODE		2 3 2.4	$V_{DD} + 0.5$ $V_{DD} + 0.5$ –	V V V
$I_{LI}$	input leakage current	note 2	–	10	$\mu$ A
$C_I$	input capacitance		–	10	pF
<b>Outputs</b>					
$V_{OH}$	HIGH level output voltage		2.4	$V_{DD}$	V
$V_{OL}$	LOW level output voltage		0	0.4	V
$I_{OH}$	HIGH level output current		–	–4	mA
$I_{OL}$	LOW level output current: except SDA SDA		– –	4 3	mA mA
$C_L$	output load capacitance		–	40	pF
$I_{LO}$	output leakage current		–	10	$\mu$ A

**Notes**

1. The supply current may vary between 30 and 150 mA depending upon the input data. The minimum may be achieved with  $\overline{OE}$  disabled and no clock.
2. All inputs except  $\overline{TEST}$  (internal pull-up resistor).

## Digital Colour Space Converter (DCSC)

## SAA7192A

**10 TIMING CHARACTERISTICS**

Typical ratings are measured at  $V_{DD} = 5\text{ V}$ ;  $T_{amb} = 25\text{ }^{\circ}\text{C}$

SYMBOL	PARAMETER	CONDITIONS	MIN.	TYP.	MAX.	UNIT
$t_{C27}$	clock cycle time	note 1	31	–	45	ns
$t_{C16}$	clock cycle time	16 MHz mode; note 2	62	–	83	ns
$t_{CDL}$	clock duty time LOW	note 2	25	–	–	ns
$t_{CDH}$	clock duty time HIGH	note 2	25	–	–	ns
$t_{CS}$	CREF set-up time		11	–	–	ns
$t_{CH}$	CREF hold time		3	–	–	ns
$t_{HS}$	HREF set-up time		11	–	–	ns
$t_{HH}$	HREF hold time		3	–	–	ns
$t_{RH}$	$\overline{\text{RESET}}$ hold time		4 clock periods			
$t_{VS}$	$\overline{\text{VLUTBYPASS}}$ set-up time	note 3	8	–	–	ns
$t_{VH}$	$\overline{\text{VLUTBYPASS}}$ hold time	note 3	0	–	–	ns
$t_{SU}$	DATAIN set-up time		11	–	–	ns
$t_{HD}$	DATAIN hold time		3	–	–	ns
$t_{OS}$	DATAOUT set-up time		10	–	–	ns
$t_{OH}$	DATAOUT hold time		10	–	–	ns
$t_{OHS}$	HREF_OUT set-up time		9	–	–	ns
$t_{OHH}$	HREF_OUT hold time		10	–	–	ns
$t_{HZ}$	output disable time (to 3-state)		–	10	15	ns
$t_{ZH}$	output enable time (from 3-state)		–	15	21	ns

**Notes**

1. DMSD mode designates that the DCSC will work in a DMSD environment. The CLOCK and the clock reference signal CREF will be fed by the SCGC (SAA7157); see Figs 22 to 24.
2. 16 MHz mode indicates that the DCSC will work in any other environment. The CREF signal will be set internally to HIGH, the CLOCK signal can be any clock up to 16 MHz; see Figs 23 and 25.
3. Must be set one clock period before DATAOUT; see Fig.25.

Digital Colour Space Converter (DCSC)

SAA7192A

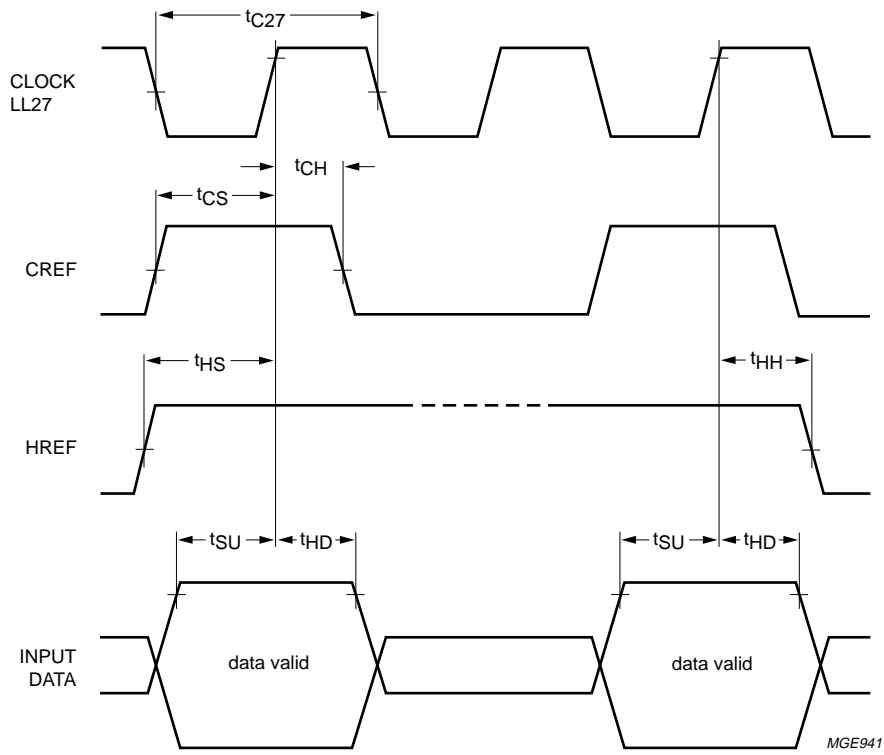


Fig.22 Timing diagram input (DMSD mode).

Digital Colour Space Converter (DCSC)

SAA7192A

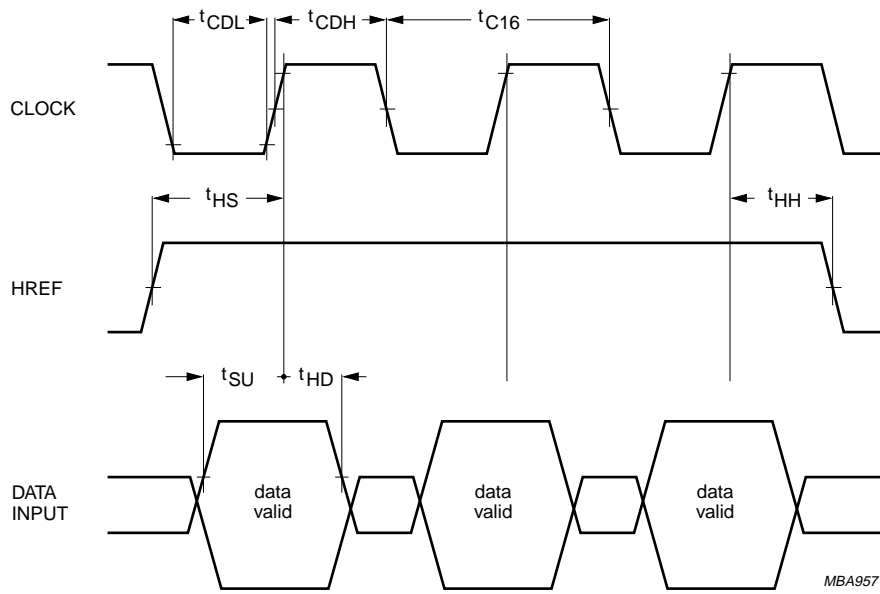
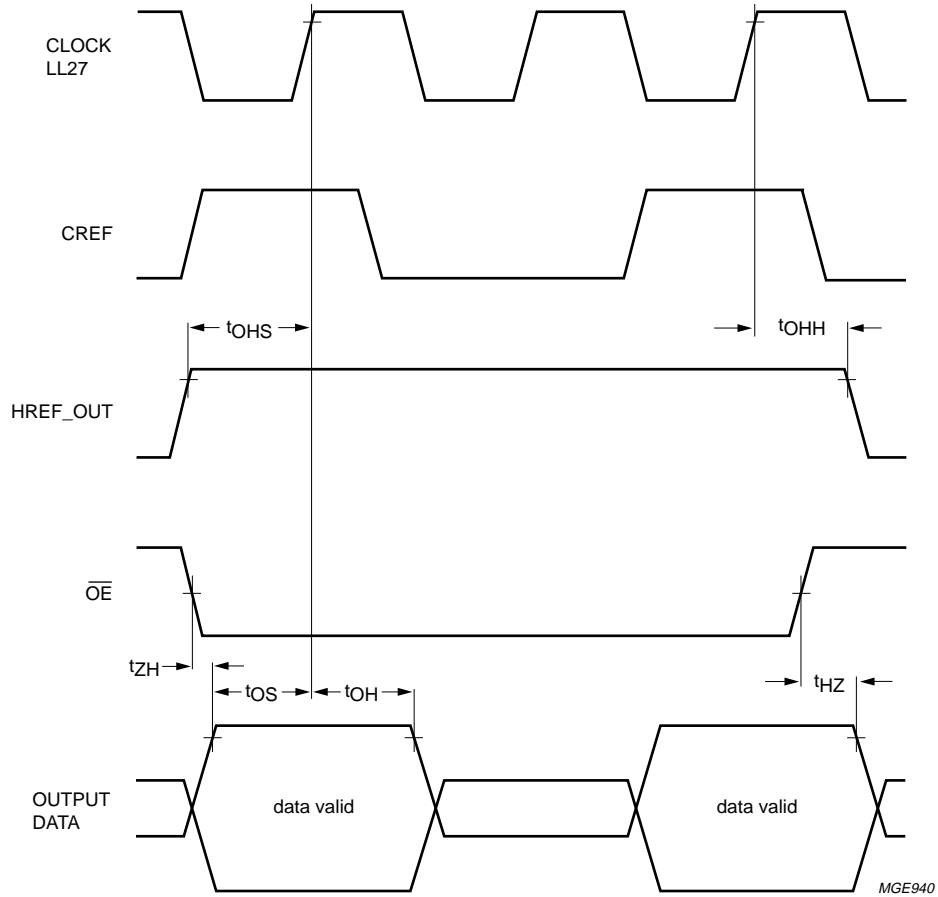


Fig.23 Timing diagram input (16 MHz mode).i



Digital Colour Space Converter (DCSC)

SAA7192A

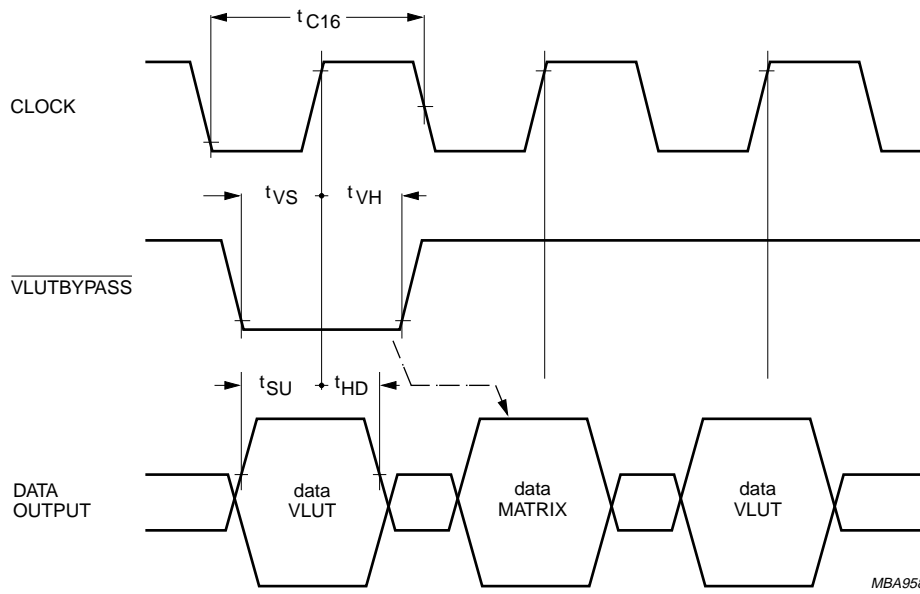


$\overline{OE}$  will also affect HREF\_OUT.

Fig.24 Timing diagram output.

Digital Colour Space Converter (DCSC)

SAA7192A



$\overline{\text{VLUTBYPASS}}$  must be supplied one clock pulse in advance of the desired DATAOUT lines reaction.

Fig.25 Timing diagram  $\overline{\text{VLUTBYPASS}}$ .

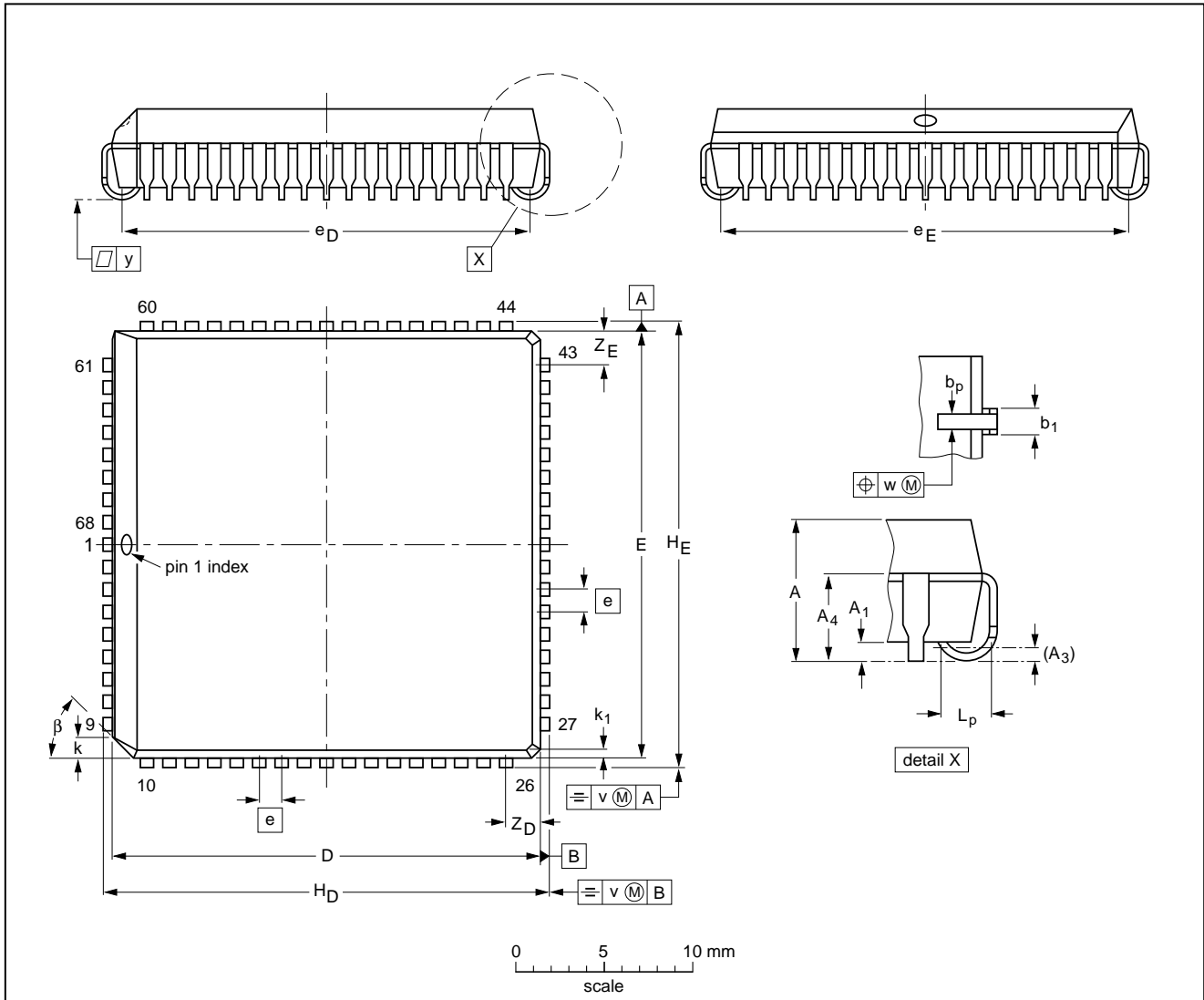
Digital Colour Space Converter (DCSC)

SAA7192A

11 PACKAGE OUTLINE

PLCC68: plastic leaded chip carrier; 68 leads

SOT188-2



DIMENSIONS (millimetre dimensions are derived from the original inch dimensions)

UNIT	A	A <sub>1</sub> min.	A <sub>3</sub>	A <sub>4</sub> max.	b <sub>p</sub>	b <sub>1</sub>	D <sup>(1)</sup>	E <sup>(1)</sup>	e	e <sub>D</sub>	e <sub>E</sub>	H <sub>D</sub>	H <sub>E</sub>	k	k <sub>1</sub> max.	L <sub>p</sub>	v	w	y	Z <sub>D</sub> <sup>(1)</sup> max.	Z <sub>E</sub> <sup>(1)</sup> max.	β
mm	4.57 4.19	0.51	0.25	3.30	0.53 0.33	0.81 0.66	24.33 24.13	24.33 24.13	1.27	23.62 22.61	23.62 22.61	25.27 25.02	25.27 25.02	1.22 1.07	0.51	1.44 1.02	0.18	0.18	0.10	2.16	2.16	45°
inches	0.180 0.165	0.020	0.01	0.13	0.021 0.013	0.032 0.026	0.958 0.950	0.958 0.950	0.05	0.930 0.890	0.930 0.890	0.995 0.985	0.995 0.985	0.048 0.042	0.020	0.057 0.040	0.007	0.007	0.004	0.085	0.085	

Note

1. Plastic or metal protrusions of 0.01 inches maximum per side are not included.

OUTLINE VERSION	REFERENCES				EUROPEAN PROJECTION	ISSUE DATE
	IEC	JEDEC	EIAJ			
SOT188-2	112E10	MO-047AC				92-11-17 95-03-11

---

## Digital Colour Space Converter (DCSC)

SAA7192A

---

### 12 SOLDERING

#### 12.1 Introduction

There is no soldering method that is ideal for all IC packages. Wave soldering is often preferred when through-hole and surface mounted components are mixed on one printed-circuit board. However, wave soldering is not always suitable for surface mounted ICs, or for printed-circuits with high population densities. In these situations reflow soldering is often used.

This text gives a very brief insight to a complex technology. A more in-depth account of soldering ICs can be found in our *"IC Package Databook"* (order code 9398 652 90011).

#### 12.2 Reflow soldering

Reflow soldering techniques are suitable for all PLCC packages.

The choice of heating method may be influenced by larger PLCC packages (44 leads, or more). If infrared or vapour phase heating is used and the large packages are not absolutely dry (less than 0.1% moisture content by weight), vaporization of the small amount of moisture in them can cause cracking of the plastic body. For more information, refer to the Drypack chapter in our *"Quality Reference Handbook"* (order code 9397 750 00192).

Reflow soldering requires solder paste (a suspension of fine solder particles, flux and binding agent) to be applied to the printed-circuit board by screen printing, stencilling or pressure-syringe dispensing before package placement.

Several techniques exist for reflowing; for example, thermal conduction by heated belt. Dwell times vary between 50 and 300 seconds depending on heating method. Typical reflow temperatures range from 215 to 250 °C.

Preheating is necessary to dry the paste and evaporate the binding agent. Preheating duration: 45 minutes at 45 °C.

#### 12.3 Wave soldering

Wave soldering techniques can be used for all PLCC packages if the following conditions are observed:

- A double-wave (a turbulent wave with high upward pressure followed by a smooth laminar wave) soldering technique should be used.
- The longitudinal axis of the package footprint must be parallel to the solder flow.
- The package footprint must incorporate solder thieves at the downstream corners.

During placement and before soldering, the package must be fixed with a droplet of adhesive. The adhesive can be applied by screen printing, pin transfer or syringe dispensing. The package can be soldered after the adhesive is cured.

Maximum permissible solder temperature is 260 °C, and maximum duration of package immersion in solder is 10 seconds, if cooled to less than 150 °C within 6 seconds. Typical dwell time is 4 seconds at 250 °C.

A mildly-activated flux will eliminate the need for removal of corrosive residues in most applications.

#### 12.4 Repairing soldered joints

Fix the component by first soldering two diagonally-opposite end leads. Use only a low voltage soldering iron (less than 24 V) applied to the flat part of the lead. Contact time must be limited to 10 seconds at up to 300 °C. When using a dedicated tool, all other leads can be soldered in one operation within 2 to 5 seconds between 270 and 320 °C.

## Digital Colour Space Converter (DCSC)

SAA7192A

**13 DEFINITIONS**

<b>Data sheet status</b>	
Objective specification	This data sheet contains target or goal specifications for product development.
Preliminary specification	This data sheet contains preliminary data; supplementary data may be published later.
Product specification	This data sheet contains final product specifications.
<b>Limiting values</b>	
Limiting values given are in accordance with the Absolute Maximum Rating System (IEC 134). Stress above one or more of the limiting values may cause permanent damage to the device. These are stress ratings only and operation of the device at these or at any other conditions above those given in the Characteristics sections of the specification is not implied. Exposure to limiting values for extended periods may affect device reliability.	
<b>Application information</b>	
Where application information is given, it is advisory and does not form part of the specification.	

**14 LIFE SUPPORT APPLICATIONS**

These products are not designed for use in life support appliances, devices, or systems where malfunction of these products can reasonably be expected to result in personal injury. Philips customers using or selling these products for use in such applications do so at their own risk and agree to fully indemnify Philips for any damages resulting from such improper use or sale.

**15 PURCHASE OF PHILIPS I<sup>2</sup>C COMPONENTS**

Purchase of Philips I<sup>2</sup>C components conveys a license under the Philips' I<sup>2</sup>C patent to use the components in the I<sup>2</sup>C system provided the system conforms to the I<sup>2</sup>C specification defined by Philips. This specification can be ordered using the code 9398 393 40011.

Digital Colour Space Converter (DCSC)

SAA7192A

---

NOTES

Digital Colour Space Converter (DCSC)

SAA7192A

---

**NOTES**

# Philips Semiconductors – a worldwide company

**Argentina:** see South America

**Australia:** 34 Waterloo Road, NORTH RYDE, NSW 2113,  
Tel. +61 2 9805 4455, Fax. +61 2 9805 4466

**Austria:** Computerstr. 6, A-1101 WIEN, P.O. Box 213,  
Tel. +43 1 60 101, Fax. +43 1 60 101 1210

**Belarus:** Hotel Minsk Business Center, Bld. 3, r. 1211, Volodarski Str. 6,  
220050 MINSK, Tel. +375 172 200 733, Fax. +375 172 200 773

**Belgium:** see The Netherlands

**Brazil:** see South America

**Bulgaria:** Philips Bulgaria Ltd., Energoproject, 15th floor,  
51 James Bourchier Blvd., 1407 SOFIA,  
Tel. +359 2 689 211, Fax. +359 2 689 102

**Canada:** PHILIPS SEMICONDUCTORS/COMPONENTS,  
Tel. +1 800 234 7381

**China/Hong Kong:** 501 Hong Kong Industrial Technology Centre,  
72 Tat Chee Avenue, Kowloon Tong, HONG KONG,  
Tel. +852 2319 7888, Fax. +852 2319 7700

**Colombia:** see South America

**Czech Republic:** see Austria

**Denmark:** Prags Boulevard 80, PB 1919, DK-2300 COPENHAGEN S,  
Tel. +45 32 88 2636, Fax. +45 31 57 1949

**Finland:** Sinikalliontie 3, FIN-02630 ESPOO,  
Tel. +358 615 800, Fax. +358 615 80920

**France:** 4 Rue du Port-aux-Vins, BP317, 92156 SURESNES Cedex,  
Tel. +33 1 40 99 6161, Fax. +33 1 40 99 6427

**Germany:** Hammerbrookstraße 69, D-20097 HAMBURG,  
Tel. +49 40 23 53 60, Fax. +49 40 23 536 300

**Greece:** No. 15, 25th March Street, GR 17778 TAVROS,  
Tel. +30 1 4894 339/911, Fax. +30 1 4814 240

**Hungary:** see Austria

**India:** Philips INDIA Ltd, Shivsagar Estate, A Block, Dr. Annie Besant Rd.  
Worli, MUMBAI 400 018, Tel. +91 22 4938 541, Fax. +91 22 4938 722

**Indonesia:** see Singapore

**Ireland:** Newstead, Clonskeagh, DUBLIN 14,  
Tel. +353 1 7640 000, Fax. +353 1 7640 200

**Israel:** RAPAC Electronics, 7 Kehilat Saloniki St, TEL AVIV 61180,  
Tel. +972 3 645 0444, Fax. +972 3 649 1007

**Italy:** PHILIPS SEMICONDUCTORS, Piazza IV Novembre 3,  
20124 MILANO, Tel. +39 2 6752 2531, Fax. +39 2 6752 2557

**Japan:** Philips Bldg 13-37, Kohnan 2-chome, Minato-ku, TOKYO 108,  
Tel. +81 3 3740 5130, Fax. +81 3 3740 5077

**Korea:** Philips House, 260-199 Itaewon-dong, Yongsan-ku, SEOUL,  
Tel. +82 2 709 1412, Fax. +82 2 709 1415

**Malaysia:** No. 76 Jalan Universiti, 46200 PETALING JAYA, SELANGOR,  
Tel. +60 3 750 5214, Fax. +60 3 757 4880

**Mexico:** 5900 Gateway East, Suite 200, EL PASO, TEXAS 79905,  
Tel. +9-5 800 234 7381

**Middle East:** see Italy

**Netherlands:** Postbus 90050, 5600 PB EINDHOVEN, Bldg. VB,  
Tel. +31 40 27 82785, Fax. +31 40 27 88399

**New Zealand:** 2 Wagener Place, C.P.O. Box 1041, AUCKLAND,  
Tel. +64 9 849 4160, Fax. +64 9 849 7811

**Norway:** Box 1, Manglerud 0612, OSLO,  
Tel. +47 22 74 8000, Fax. +47 22 74 8341

**Philippines:** Philips Semiconductors Philippines Inc.,  
106 Valero St. Salcedo Village, P.O. Box 2108 MCC, MAKATI,  
Metro MANILA, Tel. +63 2 816 6380, Fax. +63 2 817 3474

**Poland:** Ul. Lukiska 10, PL 04-123 WARSZAWA,  
Tel. +48 22 612 2831, Fax. +48 22 612 2327

**Portugal:** see Spain

**Romania:** see Italy

**Russia:** Philips Russia, Ul. Usatcheva 35A, 119048 MOSCOW,  
Tel. +7 095 926 5361, Fax. +7 095 564 8323

**Singapore:** Lorong 1, Toa Payoh, SINGAPORE 1231,  
Tel. +65 350 2538, Fax. +65 251 6500

**Slovakia:** see Austria

**Slovenia:** see Italy

**South Africa:** S.A. PHILIPS Pty Ltd., 195-215 Main Road Martindale,  
2092 JOHANNESBURG, P.O. Box 7430 Johannesburg 2000,  
Tel. +27 11 470 5911, Fax. +27 11 470 5494

**South America:** Rua do Rocio 220, 5th floor, Suite 51,  
04552-903 São Paulo, SÃO PAULO - SP, Brazil,  
Tel. +55 11 821 2333, Fax. +55 11 829 1849

**Spain:** Balmes 22, 08007 BARCELONA,  
Tel. +34 3 301 6312, Fax. +34 3 301 4107

**Sweden:** Kottbygatan 7, Akalla, S-16485 STOCKHOLM,  
Tel. +46 8 632 2000, Fax. +46 8 632 2745

**Switzerland:** Allmendstrasse 140, CH-8027 ZÜRICH,  
Tel. +41 1 488 2686, Fax. +41 1 481 7730

**Taiwan:** PHILIPS TAIWAN Ltd., 23-30F, 66,  
Chung Hsiao West Road, Sec. 1, P.O. Box 22978,  
TAIPEI 100, Tel. +886 2 382 4443, Fax. +886 2 382 4444

**Thailand:** PHILIPS ELECTRONICS (THAILAND) Ltd.,  
209/2 Sanpavuth-Bangna Road Prakanong, BANGKOK 10260,  
Tel. +66 2 745 4090, Fax. +66 2 398 0793

**Turkey:** Talatpasa Cad. No. 5, 80640 GÜLTEPE/ISTANBUL,  
Tel. +90 212 279 2770, Fax. +90 212 282 6707

**Ukraine:** PHILIPS UKRAINE, 4 Patrice Lumumba str., Building B, Floor 7,  
252042 KIEV, Tel. +380 44 264 2776, Fax. +380 44 268 0461

**United Kingdom:** Philips Semiconductors Ltd., 276 Bath Road, Hayes,  
MIDDLESEX UB3 5BX, Tel. +44 181 730 5000, Fax. +44 181 754 8421

**United States:** 811 East Arques Avenue, SUNNYVALE, CA 94088-3409,  
Tel. +1 800 234 7381

**Uruguay:** see South America

**Vietnam:** see Singapore

**Yugoslavia:** PHILIPS, Trg N. Pasica 5/v, 11000 BEOGRAD,  
Tel. +381 11 825 344, Fax. +381 11 635 777

**For all other countries apply to:** Philips Semiconductors, Marketing & Sales Communications,  
Building BE-p, P.O. Box 218, 5600 MD EINDHOVEN, The Netherlands, Fax. +31 40 27 24825

**Internet:** <http://www.semiconductors.philips.com>

© Philips Electronics N.V. 1996

SCA51

All rights are reserved. Reproduction in whole or in part is prohibited without the prior written consent of the copyright owner.

The information presented in this document does not form part of any quotation or contract, is believed to be accurate and reliable and may be changed without notice. No liability will be accepted by the publisher for any consequence of its use. Publication thereof does not convey nor imply any license under patent- or other industrial or intellectual property rights.

Printed in The Netherlands

657021/1200/02/pp40

Date of release: 1996 Sep 25

Document order number: 9397 750 01272

*Let's make things better.*

**Philips**  
Semiconductors



**PHILIPS**